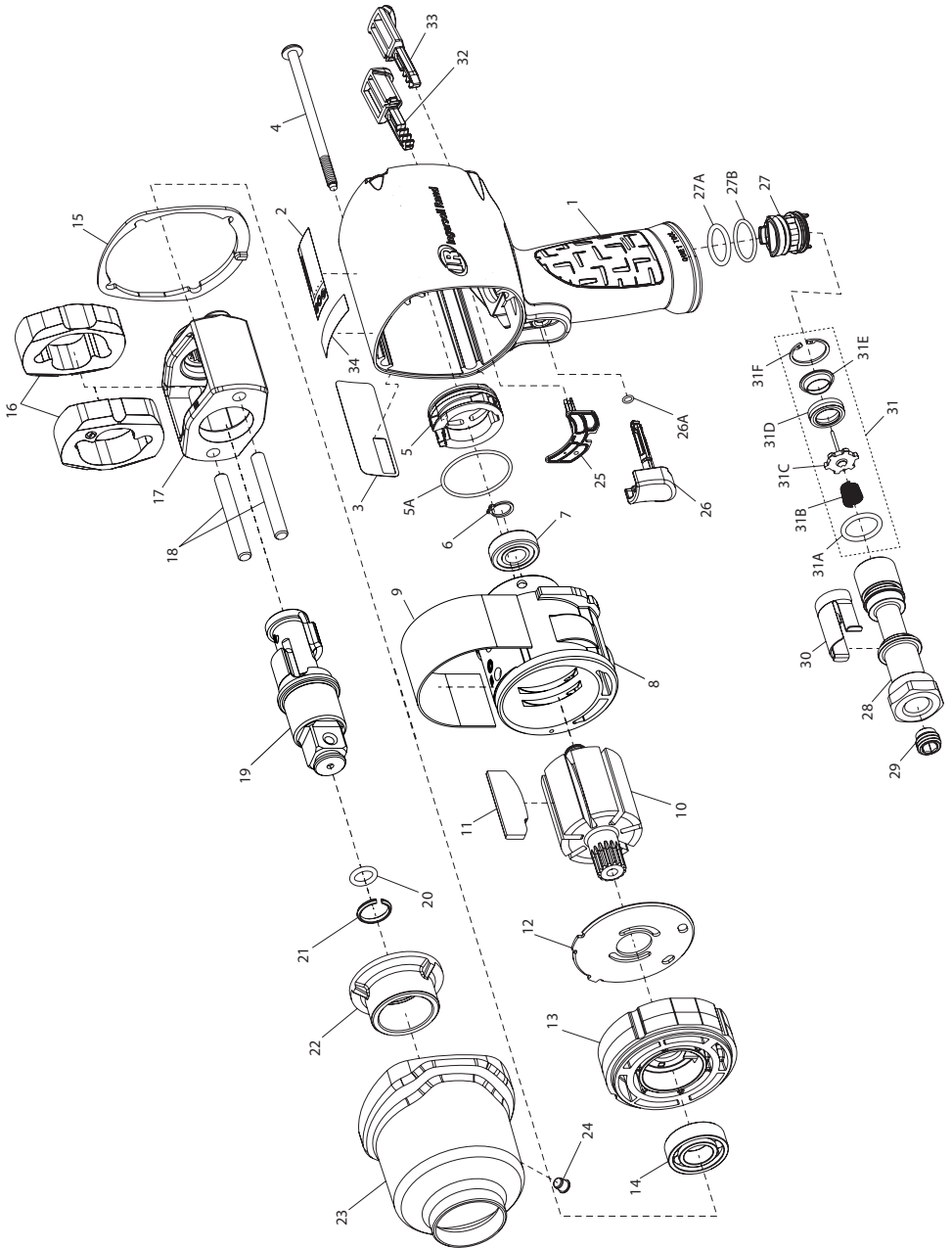


2145QiMAX-SP and 2155QiMAX-SP Air Impactool™ - Exploded View



(Dwg. 471106281)

2145QiMAX-SP and 2155QiMAX-SP Air Impactool™ - Parts List

Item	Part Description	Part Number	Item	Part Description	Part Number
*	Housing Assembly		24	Grease Fitting	130SR-188
	for model 2145QiMAX-SP	2145QiMAX-SP-A40	† 25	Gasket, Motor	2141-283
	for model 2155QiMAX-SP	2155QiMAX-SP-A40	† *	Trigger Assembly	2145-D93BK
1	Housing	---	26	Trigger	---
2	Warning Label	---	26A	O-Ring, Trigger	---
3	Information Label	---	*	Reverse Valve Assembly	2141-A329
34	ATEX Label	---	27	Reverse Valve	---
25	Gasket, Motor	---	27A	O-Ring, Reverse Valve (Top-Black)	---
*	Reverse Valve Assembly	---	27B	O-Ring, Reverse Valve (Bottom-Blue)	---
*	Button Kit	---	*	Inlet Bushing Assembly (includes 28, 29, 30, 31)	2145-D565
2	Warning Label	WARNING-2-99	28	Inlet Bushing	---
3	Information Label		† 29	Inlet Pre-Screen	2145-61A
	for model 2145QiMAX-SP	2145QiMAX-SP-300	30	Inlet Clip	2141-57
	for model 2155QiMAX-SP	2155QiMAX-SP-300	31	Inlet Parts Kit	2141-K303
4	Screw, Hammer Case (4 required)	2141-638	31A	O-Ring, Seal	---
*	Power Regulator Assembly	2135-D249A	31B	Throttle Spring	---
5	Power Regulator	---	31C	Throttle Valve	---
5A	O-Ring, Power Regulator	---	31D	Valve Seat	---
6	Retaining Ring	2131-6	31E	Seat Support	---
7	Ball Bearing (Cylinder)	2131-97	31F	Retainer	---
8	Cylinder	2141-3	*	Button Kit	2145-K75RD
9	Silencer	2145Q-311	32	Forward Button	---
10	Rotor	2145-53	33	Reverse Button	---
† 11	Vane Pack (set of 7)	2145-42-7	34	ATEX Label	ATEX-IMPACTOOL-99
12	Wear Plate	2145-11X	*	Tune-up Kit	2145-TK2
13	End Plate	2145-11	5A	O-Ring, Power Regulator	---
14	Ball Bearing (End Plate)	R38P-606	6	Retaining Ring	---
† 15	Hammer Case Gasket	2145-36RD	7	Ball Bearing (Cylinder)	---
*	Hammer Mechanism Kit	2145-THK2	14	Ball Bearing (End Plate)	---
16	Hammer (2)	---	11	Vane Pack (set of 7)	---
17	Hammer Frame	---	15	Hammer Case Gasket	---
18	Hammer Pin (2)	---	26A	O-Ring, Trigger	---
*	Anvil Assembly		25	Gasket, Motor	---
	for model 2145QiMAX-SP	2145-A626	27A	O-Ring, Reverse Valve (Top-Black)	---
	for model 2155QiMAX-SP	2155-A626	27B	O-Ring, Reverse Valve (Bottom-Blue)	---
19	Anvil	---	31	Inlet Parts Kit	---
*	Socket Retainer Kit	---	*	Inlet Clip Removal Tool	2131-322
† *	Socket Retainer Kit		*	Socket Retention Ring (3/4" Anvil)	RR100345
	for model 2145QiMAX-SP (3/4" Ring-type)	2145-K425	*	Socket Retention Ring (1" Anvil)	RR100155
	for model 2155QiMAX-SP (1" Ring-type)	2155-K425	† *	Air Care Kit (grease gun, grease, oil)	115-LBK1
			*	Grease (replacement tube for -LBK1)	115-4T
20	O-Ring	---	*	Air Tool Oil (4 oz. Bottle)	1024
21	Socket Retainer	---	*	Grease (1 lb can)	105-1LB
22	Bushing, Hammer Case	2145SP-641	*	Grease (8 lb can)	105-8LB
*	Hammer Case Assembly	2145SP-D727	*	Grease Gun	R000A2-228
22	Bushing, Hammer Case	---			
23	Hammer Case	---			
24	Grease Fitting	---			

* Not Illustrated

† * To keep downtime to a minimum, it's desirable to have certain repair parts on hand. We recommend that you stock one (pair or set) of each part indicated by a (†) for every four tools in service.

Parts and Maintenance

When the life of the tool has expired, it is recommended that the tool be disassembled, degreased and parts be separated by material so that they can be recycled.

Tool repair and maintenance should only be carried out by an authorized Service Center.

Refer all communications to the nearest **Ingersoll Rand** Office or Distributor.

Related Documentation

For additional information refer to:

Air Impactool Product Safety Information Manual 04580916.

Air Impactool Product Information Manual 47103767.

Air Impact Wrench - ATEX Special Conditions for Safe Use Manual Form 04579744.

Manuals can be downloaded from www.ingersollrandproducts.com.



www.ingersollrandproducts.com

© 2011 **Ingersoll Rand**

47122676

Edition 1

January 2011