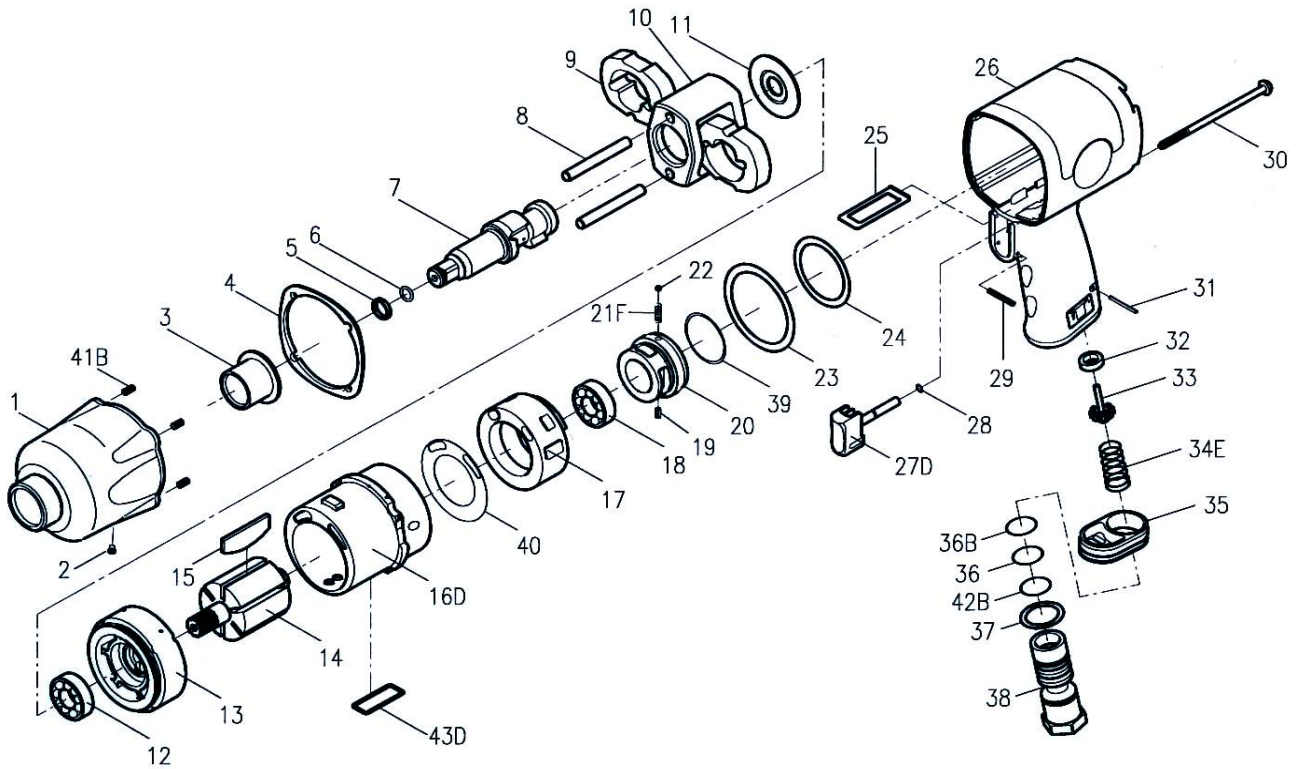


UIW260 & UIW260L

1/2" PROFESSIONAL AIR IMPACT WRENCH



Index No.	Part No.	Description	Q'ty	Index No.	Part No.	Description	Q'ty
1	305F-002C	Hammer Case	1	23	305F-030	Rear Gasket	1
2	00-4603	Grease Fitting	1	24	305F-031	Washer	1
3	305-010B-C	Anvil Bushing	1	25	305F-019	Air Channel Gasket	1
4	305F-020	Front Gasket	1	26	305F-001	Motor Housing	1
5	250-033	Anvil Collar	1	27D	305F-024-C	Trigger	1
6	00-4103	O-Ring	1	28	00-4101	O-Ring	1
7	305-011NA4	Anvil	1	29	00-3326	Spring Pin	1
	305-011NB4	2" Anvil	1	30	305F-028	Screw	4
8	305-016	Hammer Pin	2	31	00-3308	Spring Pin	1
9	305-017-B	Hammer	2	32	306-027-B	Bushing	1
10	305-012	Hammer Cage	1	33	306-026	Valve Stem	1
11	305-020-B	Rear Washer	1	34E	305F-026-B	Spring	1
12	00-2317A	Ball Bearing	1	35	306-030	Exhaust Deflector	1
13	305F-005	Front End Plate	1	36	00-4143	O-Ring	1
14	305F-007	Rotor	1	36B	00-4126	O-Ring	1
15	301-008	Rotor Blade	6	37	305F-032	Washer	1
16D	305F-006-B	Cylinder	1	38	305F-025A-B	Air Inlet (1/4" PF)	1
17	305F-029	Valve Sleeve	1	39	00-4174	O-Ring	1
18	00-2305	Ball Bearing	1	40	305F-033	Valve Sleeve Gasket	1
19	00-3345	Spring Pin	1	41B	00-4301	Inserts Recoil	4
20	305F-021	Reverse Valve	1	42B	00-4127	O-Ring	1
21F	305F-034B	Spring	1	43D	305H-041	Square Ring	1
22	00-3805	Steel Ball	1				