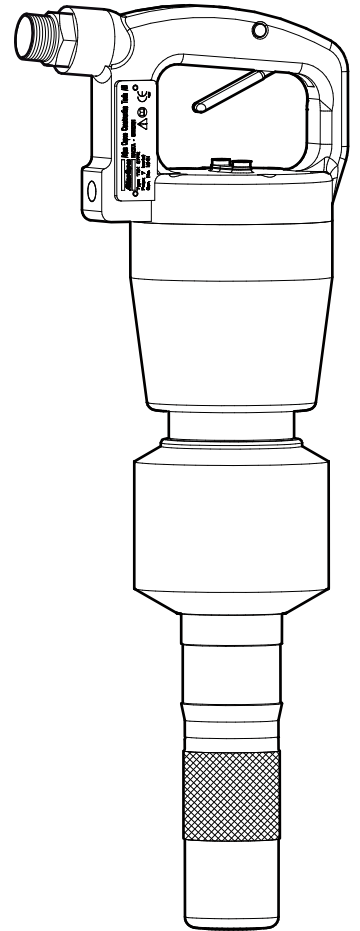


## Spare parts list

### Handheld pneumatic pick hammers

	Valid from serial number
TEX 07PE	000139
TEX 07PE FSH	000139





# Contents

<b>General information</b> .....	5
<b>Spare parts list</b> .....	6
<b>TEX 07PE</b> .....	6
<b>Insertion tools</b> .....	9
<b>Hexagon 19 x 50 mm (¾ x 2 in.)</b> .....	9
<b>Hexagon ¾ x 2 in. (19 x 50 mm)</b> .....	9
<b>Accessories</b> .....	10
<b>Optional equipment</b> .....	10
<b>Pre-mounted rubber hose with couplings</b> .....	10
<b>Water separator</b> .....	10
<b>Lubricator</b> .....	11
<b>Breaker and hammer AIR-OIL</b> .....	11
<b>Claw couplings</b> .....	11



## General information

This spare parts list applies to the following:

### Description

Handheld pneumatic pick hammer TEX 07PE

Handheld pneumatic pick hammer TEX 07PE FSH

Use only authorized parts. Any damage or malfunction caused by the use of unauthorized parts is not covered by Warranty or Product Liability. Any unauthorized use or copying of the contents or any part thereof is prohibited. This applies in particular to trademarks, model denominations, part numbers, and drawings.

### Instructions for use

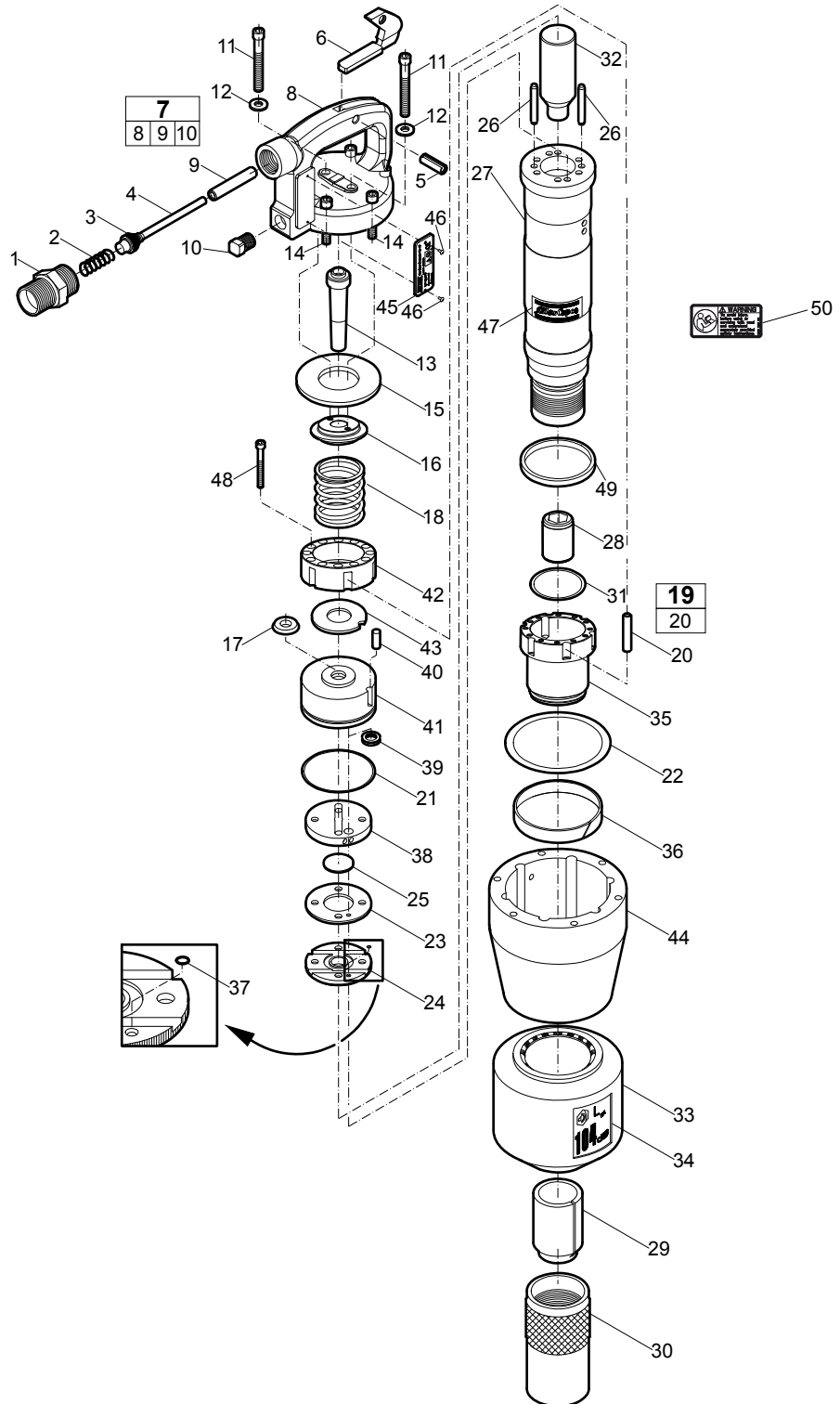
This spare parts list contains no safety regulations and is merely intended to assist in the ordering of spare parts.

For information about operating, servicing, or repairing, the relevant Safety and operating instructions must be consulted at all costs.

Please observe the safety instructions listed in the relevant Safety and operating instructions!

# Spare parts list

## TEX 07PE

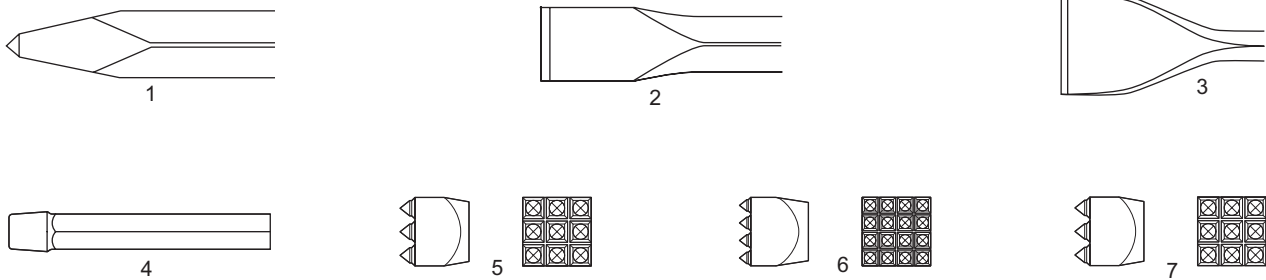


No.	Description	Remark	Quantity	Part number
1	Nipple		1	3310 1131 00
2	Spring		1	3310 1130 00
3	Inlet valve		1	3310 1135 00
4	Valve stem		1	3310 1281 00
5	Spring pin	5/16"	1	3310 1373 00
6	Trigger		1	3310 1288 00
<b>7(8-10)</b>	<b>Back head complete</b>		1	3310 1347 01
8	Back head		1	-
9	Guide bushing		1	-
10	Plug	ISO-R1/4"	2	-
11	Screw	UNF 1/4" x 44 (1-3/4")	2	3310 1372 00
12	Washer		2	3310 1374 00
13	Air tube		1	3310 1348 00
14	Screw	UNC 1/4" x 32 (1-1/4")	6	0211 5209 00
15	Washer		1	3310 1466 00
16	Buffer plate		1	3310 1467 00
17	Seal ring		1	3310 1355 00
18	Spring		1	3310 1468 00
<b>19(20)</b>	<b>Roller set</b>		1	3310 1471 90
20	Roller guide		6	-
21	O-ring	56.87 x 1.78 mm 2.24 x 0.07 in.	1	0663 2104 85
22	O-ring	75.57 x 6.99 mm 2.97 x 0.27 in.	1	3310 1371 00
23	Valve housing		1	3310 1352 00
24	Valve plate		1	3310 1354 00
25	Main valve		1	3310 1353 00
26	Dowel pin		2	3310 1357 00
27	Cylinder		1	3310 1358 00
28	Bushing	Hexagonal 19 x 50 mm 3/4 x 2 in.	1	3310 1359 00
29	Buffer	Round	1	3310 1465 00
30	Cap		1	3310 1464 00
31	O-ring	39.2 x 3.0 mm 1.54 x 0.12 in.	1	0663 2133 00
32	Piston		1	3310 1360 00
33	Silencer		1	3310 1361 00
34	Sound power label		1	-
35	Adaptor house		1	3310 1524 00
36	Guide ring		1	3310 1363 00
37	O-ring	2.9 x 1.78 mm 0.11 x 0.07 in.	1	0663 9025 00
38	Valve cover		1	3310 1351 00
39	Quad-ring		1	3310 1364 00
40	Dowel pin		1	3310 1365 00
41	Housing		1	3310 1525 00
42	Guide holder		1	3310 1469 00
43	Plate		1	3310 1470 00
44	Case		1	3310 1369 00
45	Data plate		1	-
46	Drive screw		2	0244 4144 00
47	Product label	"Atlas Copco"	1	0690 1101 02
48	Screw	M6 x 40 mm - 12.9	12	0211 1252 00
49	Ring		1	3310 1523 00

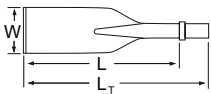
No.	Description	Remark	Quantity	Part number
50	Safety label	Read instruction manual	1	3310 1602 00



# Insertion tools



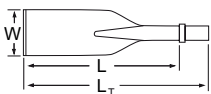
## Hexagon 19 x 50 mm (3/4 x 2 in.)



Flat to flat

No.	Description	W (mm)	L (mm)	Part number
1	Moil point	-	240	3083 3220 00
		-	440	3083 3221 00
2	Narrow chisel	-	240	3083 3222 00
		-	440	3083 3223 00
3	Wide chisel	60	190	3083 3224 00
4	Shaft for bush hammer	-	80	3083 3225 00
5	Bush hammer, TC head	40	-	3083 3226 00
6	Bush hammer, TC head	40	-	3083 3227 00
7	Bush hammer, steel head	32	-	3083 4163 00

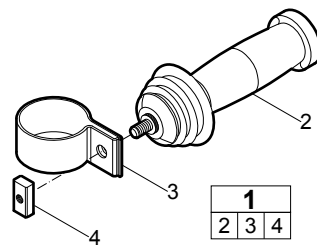
## Hexagon 3/4 x 2 in. (19 x 50 mm)



No.	Description	W (in.)	L (in.)	L <sub>T</sub> (in.)	Part number
1	Moil point	-	9½	11.8	3083 3220 00
		-	17	19.7	3083 3221 00
2	Narrow chisel	-	9½	11.8	3083 3222 00
		-	17	19.7	3083 3223 00
3	Wide chisel	2¾	7½	9.8	3083 3224 00
4	Shaft for bush hammer	-	3¾		3083 3225 00
5	Bush hammer, TC head	1½	-		3083 3226 00
6	Bush hammer, TC head	1½	-		3083 3227 00
7	Bush hammer, steel head	1¼	-		3083 4163 00

## Accessories

### Optional equipment



No.	Description	Remark	Quantity	Part number
1(2-4)	Handle complete	Optional	1	8461 0209 90
2	Handle		1	3310 1376 00
3	Clamp		1	3310 1336 00
4	Nut		1	3310 1337 00

### Pre-mounted rubber hose with couplings

Description	Remark	Quantity	Part number
Rubber hose, pre-mounted with European type claw coupling, 3 m (10 feet) (1 x claw coupling + 1 x hose nipple with cup nut, G $\frac{3}{4}$ in.)	Ø12.5 mm Ø $\frac{1}{2}$ in.	1	9030 2044 00

### Water separator

Description	Remark	Quantity	Part number
Water separator VAM 01, European type claw couplings	Airflow < 50 l/s Airflow < 106 ft <sup>3</sup> /min	1	8092 0110 58
Water separator VAM 01, US type claw couplings	Airflow < 50 l/s Airflow < 106 ft <sup>3</sup> /min	1	8092 0110 59
Water separator VAM 5A, European type claw couplings	Airflow < 120 l/s Airflow < 254 ft <sup>3</sup> /min	1	8092 0110 82
Water separator VAM 5A, US type claw couplings	Airflow < 120 l/s Airflow < 254 ft <sup>3</sup> /min	1	8092 0110 83

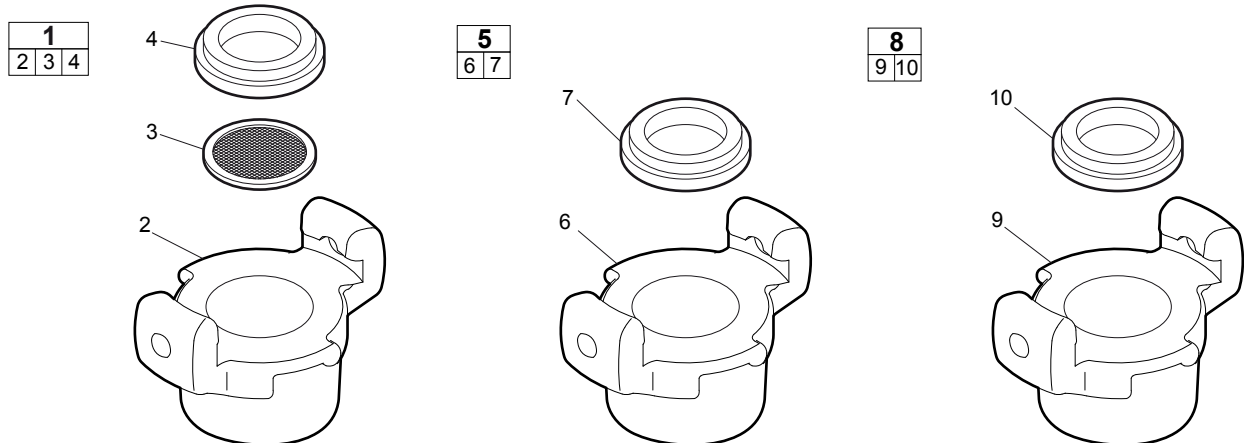
## Lubricator

Description	Remark	Quantity	Part number
Lubricator CLG 30, European type claw couplings	For mineral and synthetic oil	1	8202 5102 39
Lubricator CLG 30, US type claw couplings	For mineral and synthetic oil	1	8202 5102 40

## Breaker and hammer AIR-OIL

Description	Remark	Quantity	Part number
Breaker and hammer AIR-OIL	0.25 l 0.06 US gallon	1	8099 0202 40
Breaker and hammer AIR-OIL	1 l 0.26 US gallon	1	8099 0202 36
Breaker and hammer AIR-OIL (pack)	1 l 0.26 US gallon	20	8099 0202 81
Breaker and hammer AIR-OIL	5 l 1.32 US gallon	1	8099 0202 02
Breaker and hammer AIR-OIL (pack)	5 l 1.32 US gallon	4	8099 0202 85

## Claw couplings



No.	Description	Remark	Quantity	Part number
<b>1(2-4)</b>	<b>Claw coupling with strainer, complete</b>		1	9000 0306 01
2	Claw coupling	Standard G $\frac{3}{4}$ in.	1	-
3	Strainer		1	9000 0000 10
4	Seal		1	9000 0000 00
<b>5(6-7)</b>	<b>Claw coupling, complete</b>		1	9000 0306 00
6	Claw coupling	Standard G $\frac{3}{4}$ in.	1	-
7	Seal		1	9000 0000 00
<b>8(9-10)</b>	<b>Claw coupling, complete</b>		1	9001 0005 06
9	Claw coupling	US-universal $\frac{3}{4}$ in.	1	-
10	Seal		1	9001 0005 15









Any unauthorized use or copying of the contents or any part thereof is prohibited.  
This applies in particular to trademarks, model denominations, part numbers, and  
drawings.

© 2011 Atlas Copco Construction Tools AB | No. 9800 0844 01a | 2011-04-05

