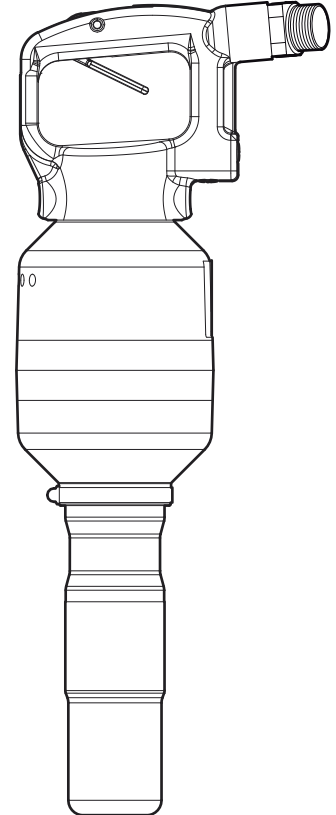


Spare parts list

Handheld pneumatic pick hammers

	Valid from serial number
TEX 12PS	004651
TEX 12PS US	004651
TEX 12PS KL	004651
TEX 12PS KL US	004651
TEX 12PS R	004651
TEX 12PS R KL	004651



General information

This spare parts list applies to the following:

Description
Handheld pneumatic pick hammer TEX 12PS
Handheld pneumatic pick hammer TEX 12PS US
Handheld pneumatic pick hammer TEX 12PS KL
Handheld pneumatic pick hammer TEX 12PS KL US
Handheld pneumatic pick hammer TEX 12PS R
Handheld pneumatic pick hammer TEX 12PS R KL

Use only authorized parts. Any damage or malfunction caused by the use of unauthorized parts is not covered by Warranty or Product Liability. Any unauthorized use or copying of the contents or any part thereof is prohibited. This applies in particular to trademarks, model denominations, part numbers, and drawings.

Instructions for use

This spare parts list contains no safety regulations and is merely intended to assist in the ordering of spare parts.

For information about operating, servicing, or repairing, the relevant Safety and operating instructions must be consulted at all costs.

Please observe the safety instructions listed in the relevant Safety and operating instructions!

Contents

Spare parts list

TEX 12PS, 12PS US	1
TEX 12PSR	4
TEX 12PSKL	8
TEX 12PSRKL	12
TEX 12PSKL US	16

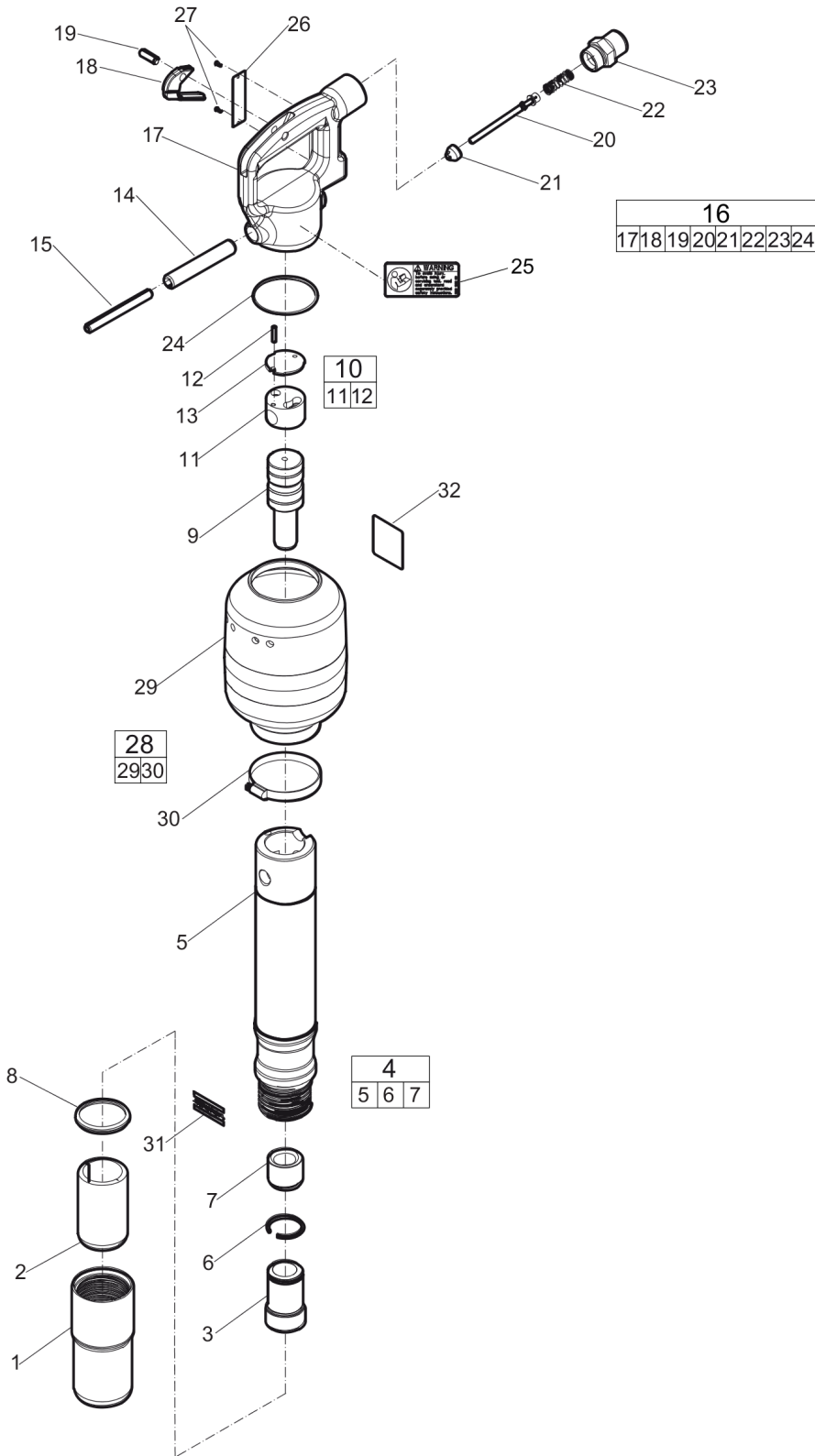
Insertion tools

ISO standard hexagon 22 x 82.5 mm	20
US standard hexagon 22 x 82.5 mm	23
Round 25 x 75 mm	25

Accessories

Pre-mounted rubber hose with couplings	27
Water separator	29
Lubricator	31
Breaker and hammer AIR-OIL	33
Claw couplings	35

Spare parts list TEX 12PS, 12PS US



Refer to Parts Online for the most up to date information. The printed information might be outdated.

Tue Jul 14 06:57:14 MDT 2015

Item	Part No.	Name	Qty	L
1	3310113700	Cap	1	
2	3310070500	Buffer, red, Hexagon 22 x 82.5 mm, 7/8 x 31/4 in.	1	
3	3310131600	Chuck, Hexagon 22 x 82.5 mm, 7/8 x 31/4 in.	1	
4	3310128280	Cylinder, complete	1	
5	--	Cylinder	1	
6	3310087100	Locking ring	1	
7	3310087000	Intermediate part	1	
8	0663213700	O-ring, 49.2 x 5.7 mm (70 SHORE), 1.94 x 0.22 in.	1	
9	3310128300	Piston	1	
10	3310128580	Cover, complete	1	
11	--	Cover	1	
12	0106095111	Grooved pin	1	
13	3310128600	Main valve	1	
14	0108169155	Spring pin, 16 x 95 mm	1	
15	0108169164	Spring pin, 10 x 95 mm	1	
16	3310128781	Backhead, complete	1	
17	--	Backhead	1	
18	3310128800	Trigger	1	
19	0108135500	Spring pin, Ø8 x 24 mm, 0.31 x 0.94 in.	1	
20	3310128100	Valve stem	1	
21	3310113500	Inlet valve	1	
22	3310113000	Spring	1	
23	3310113100	Nipple	1	
24	0663613700	O-ring, 64.5 x 3 mm (70 SHORE), 2.54 x 0.12 in.	1	
25	3310160200	Safety label "Read instructions"	1	A
26	-	Data plate	1	
27	0244414400	Screw	2	
28	3310128480	Silencer, complete	1	
29	--	Silencer	1	
30	0347611400	Hose clamp	1	
31	0690110102	Label	1	B
32	-	Sound power label	1	

Comments for Page: TEX 12PS, 12PS US

(L)OCAL REMARKS

A | Read instruction manual

B | "Atlas Copco"

This page intentionally left blank

Item	Part No.	Name	Qty	L
1	3310113700	Cap	1	
2	3310041700	Buffer, Yellow, Round 25 x 75 mm, 1 x 3 in.	1	
3	3310131700	Chuck, Round 25 x 75 mm, 1 x 3 in.	1	
4	3310128280	Cylinder, complete	1	
5	--	Cylinder	1	
6	3310087100	Locking ring	1	
7	3310087000	Intermediate part	1	
8	0663213700	O-ring, 49.2 x 5.7 mm (70 SHORE), 1.94 x 0.22 in.	1	
9	3310128300	Piston	1	
10	3310128580	Cover, complete	1	
11	--	Cover	1	
12	0106095111	Grooved pin	1	
13	3310128600	Main valve	1	
14	0108169155	Spring pin, 16 x 95 mm	1	
15	0108169164	Spring pin, 10 x 95 mm	1	
16	3310128781	Backhead, complete	1	
17	--	Backhead	1	
18	3310128800	Trigger	1	
19	0108135500	Spring pin, Ø8 x 24 mm, 0.31 x 0.94 in.	1	
20	3310128100	Valve stem	1	
21	3310113500	Inlet valve	1	
22	3310113000	Spring	1	
23	3310113100	Nipple	1	
24	0663613700	O-ring, 64.5 x 3 mm (70 SHORE), 2.54 x 0.12 in.	1	
25	3310160200	Safety label "Read instructions"	1	A
26	-	Data plate	1	
27	0244414400	Screw	2	
28	3310128480	Silencer, complete	1	
29	--	Silencer	1	
30	0347611400	Hose clamp	1	
31	0690110102	Label	1	B
32	-	Sound power label	1	

Comments for Page: TEX 12PSR

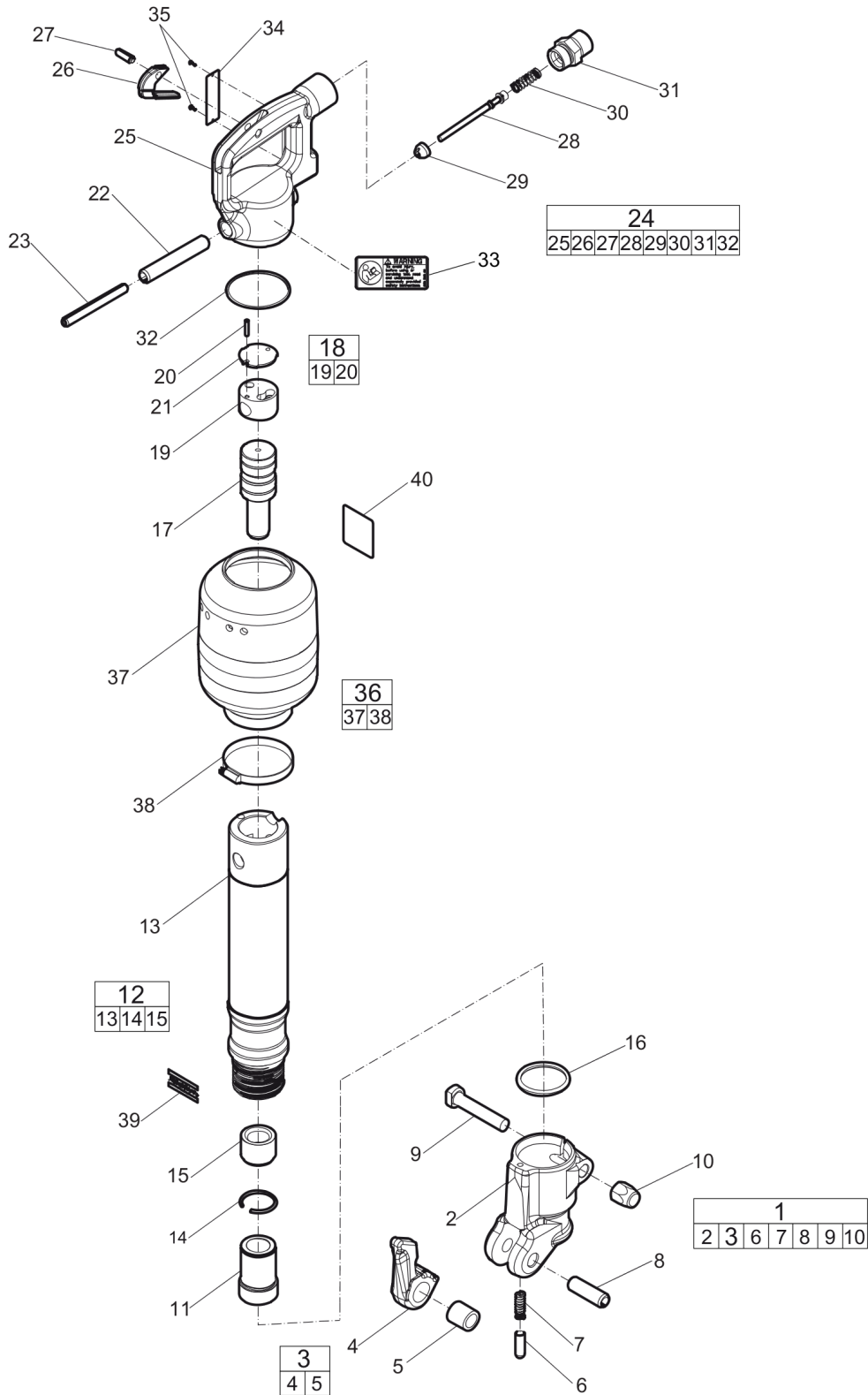
(L)OCAL REMARKS

A | Read instruction manual

B | "Atlas Copco"

This page intentionally left blank

Spare parts list TEX 12PSKL



Refer to Parts Online for the most up to date information. The printed information might be outdated.

Tue Jul 14 06:57:17 MDT 2015

Item	Part No.	Name	Qty	L
1	3310088780	Fronthead, complete	1	
2	--	Fronthead	1	
3	3310089080	Tool retainer, complete	1	
4	---	Retainer	1	
5	3310089100	Bushing	1	
6	3310089300	Plunger	1	
7	3310089400	Spring	1	
8	0108169105	Spring pin, Ø16 x 50 mm	1	
9	3310038400	Bolt	1	
10	3310031200	Nut	1	
11	3310131600	Chuck, Hexagon 22 x 82.5 mm, 7/8 x 31/4 in.	1	
12	3310128280	Cylinder, complete	1	
13	--	Cylinder	1	
14	3310087100	Locking ring	1	
15	3310087000	Intermediate part	1	
16	0663213700	O-ring, 49.2 x 5.7 mm (70 SHORE), 1.94 x 0.22 in.	1	
17	3310128300	Piston	1	
18	3310128580	Cover, complete	1	
19	--	Cover	1	
20	0106095111	Grooved pin	1	
21	3310128600	Main valve	1	
22	0108169155	Spring pin, 16 x 95 mm	1	
23	0108169164	Spring pin, 10 x 95 mm	1	
24	3310128781	Backhead, complete	1	
25	--	Backhead	1	
26	3310128800	Trigger	1	
27	0108135500	Spring pin, Ø8 x 24 mm, 0.31 x 0.94 in.	1	
28	3310128100	Valve stem	1	
29	3310113500	Inlet valve	1	
30	3310113000	Spring	1	
31	3310113100	Nipple	1	
32	0663613700	O-ring, 64.5 x 3 mm (70 SHORE), 2.54 x 0.12 in.	1	
33	3310160200	Safety label "Read instructions"	1	A
34	-	Data plate	1	
35	0244414400	Screw	2	
36	3310128480	Silencer, complete	1	
37	--	Silencer	1	

Refer to Parts Online for the most up to date information. The printed information might be outdated.

Tue Jul 14 06:57:17 MDT 2015

Item	Part No.	Name	Qty	L
38	0347611400	Hose clamp	1	
39	0690110102	Label	1	B
40	-	Sound power label	1	

Comments for Page: TEX 12PSKL

(L)OCAL REMARKS

A | Read instruction manual

B | "Atlas Copco"

This page intentionally left blank

Item	Part No.	Name	Qty	L
1	3310088780	Fronthead, complete	1	
2	--	Fronthead	1	
3	3310089080	Tool retainer, complete	1	
4	---	Retainer	1	
5	3310089100	Bushing	1	
6	3310089300	Plunger	1	
7	3310089400	Spring	1	
8	0108169105	Spring pin, Ø16 x 50 mm	1	
9	3310038400	Bolt	1	
10	3310031200	Nut	1	
11	3310131700	Chuck, Round 25 x 75 mm, 1 x 3 in.	1	
12	3310128280	Cylinder, complete	1	
13	--	Cylinder	1	
14	3310087100	Locking ring	1	
15	3310087000	Intermediate part	1	
16	0663213700	O-ring, 49.2 x 5.7 mm (70 SHORE), 1.94 x 0.22 in.	1	
17	3310128300	Piston	1	
18	3310128580	Cover, complete	1	
19	--	Cover	1	
20	0106095111	Grooved pin	1	
21	3310128600	Main valve	1	
22	0108169155	Spring pin, 16 x 95 mm	1	
23	0108169164	Spring pin, 10 x 95 mm	1	
24	3310128781	Backhead, complete	1	
25	--	Backhead	1	
26	3310128800	Trigger	1	
27	0108135500	Spring pin, Ø8 x 24 mm, 0.31 x 0.94 in.	1	
28	3310128100	Valve stem	1	
29	3310113500	Inlet valve	1	
30	3310113000	Spring	1	
31	3310113100	Nipple	1	
32	0663613700	O-ring, 64.5 x 3 mm (70 SHORE), 2.54 x 0.12 in.	1	
33	3310160200	Safety label "Read instructions"	1	A
34	-	Data plate	1	
35	0244414400	Screw	2	
36	3310128480	Silencer, complete	1	
37	--	Silencer	1	

Refer to Parts Online for the most up to date information. The printed information might be outdated.

Tue Jul 14 06:57:19 MDT 2015

Item	Part No.	Name	Qty	L
38	0347611400	Hose clamp	1	
39	0690110102	Label	1	B
40	-	Sound power label	1	

Comments for Page: TEX 12PSRKL

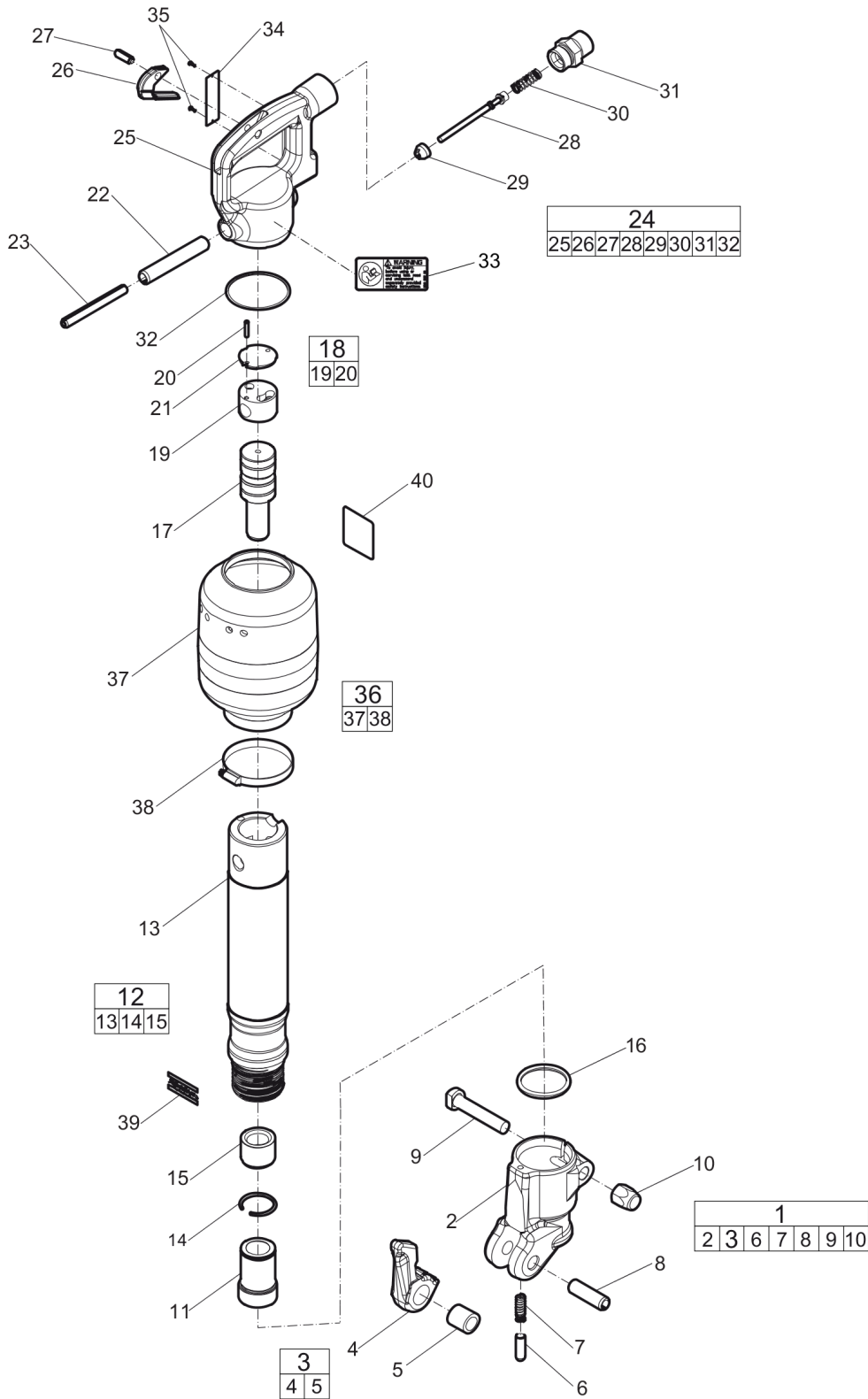
(L)OCAL REMARKS

A | Read instruction manual

B | "Atlas Copco"

This page intentionally left blank

Spare parts list TEX 12PSKL US



Refer to Parts Online for the most up to date information. The printed information might be outdated.

Tue Jul 14 06:57:20 MDT 2015

Item	Part No.	Name	Qty	L
1	3310088780	Fronthead, complete	1	
2	--	Fronthead	1	
3	3310089080	Tool retainer, complete	1	
4	---	Retainer	1	
5	3310089100	Bushing	1	
6	3310089300	Plunger	1	
7	3310089400	Spring	1	
8	0108169105	Spring pin, Ø16 x 50 mm	1	
9	3310038400	Bolt	1	
10	3310031200	Nut	1	
11	3310131600	Chuck, Hexagon 22 x 82.5 mm, 7/8 x 31/4 in.	1	
12	3310128280	Cylinder, complete	1	
13	--	Cylinder	1	
14	3310087100	Locking ring	1	
15	3310087000	Intermediate part	1	
16	0663213700	O-ring, 49.2 x 5.7 mm (70 SHORE), 1.94 x 0.22 in.	1	
17	3310128300	Piston	1	
18	3310128580	Cover, complete	1	
19	--	Cover	1	
20	0106095111	Grooved pin	1	
21	3310128600	Main valve	1	
22	0108169155	Spring pin, 16 x 95 mm	1	
23	0108169164	Spring pin, 10 x 95 mm	1	
24	3310128782	Backhead, complete	1	
25	--	Backhead	1	
26	3310128800	Trigger	1	
27	0108135500	Spring pin, Ø8 x 24 mm, 0.31 x 0.94 in.	1	
28	3310128100	Valve stem	1	
29	3310113500	Inlet valve	1	
30	3310113000	Spring	1	
31	3310113100	Nipple	1	
32	0663613700	O-ring, 64.5 x 3 mm (70 SHORE), 2.54 x 0.12 in.	1	
33	3310160200	Safety label "Read instructions"	1	A
34	-	Data plate	1	
35	0244414400	Screw	2	
36	3310128480	Silencer, complete	1	
37	--	Silencer	1	

Refer to Parts Online for the most up to date information. The printed information might be outdated.

Tue Jul 14 06:57:20 MDT 2015

Item	Part No.	Name	Qty	L
38	0347611400	Hose clamp	1	
39	0690110102	Label	1	B
40	-	Sound power label	1	

Comments for Page: TEX 12PSKL US

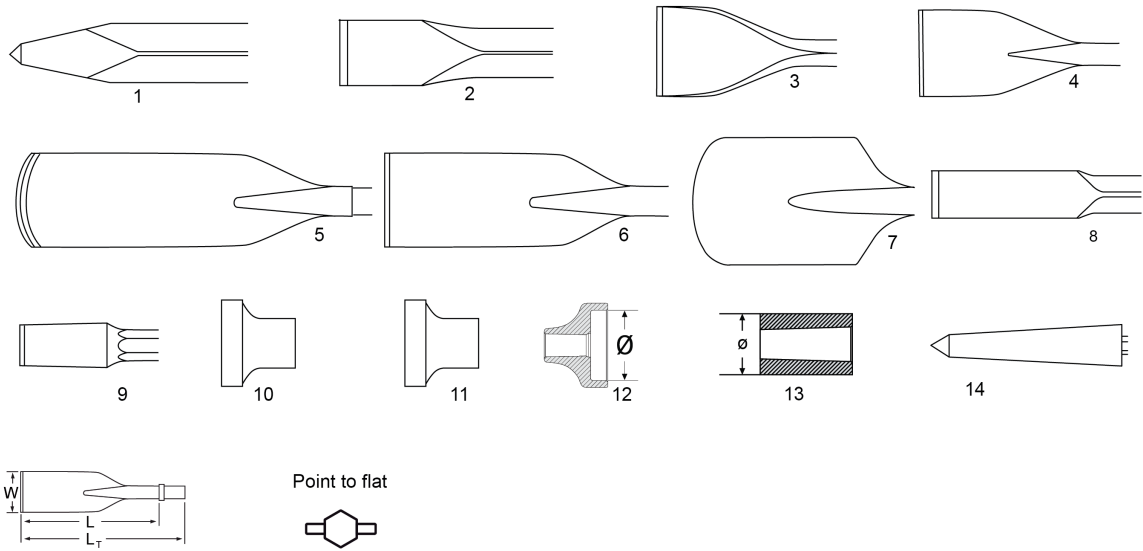
(L)OCAL REMARKS

A | Read instruction manual

B | "Atlas Copco"

This page intentionally left blank

Insertion tools ISO standard hexagon 22 x 82.5 mm



Item	Part No.	Name	Qty	L
1	3083324200	Moil point	1	A
1	3083324300	Moil point	1	B
2	3083324400	Narrow chisel	1	C
2	3083324500	Narrow chisel	1	D
3	3083324600	Wide chisel	1	E
4	3083306900	Asphalt cutter	1	F
5	3083324700	Digging chisel	1	G
6	3083324800	Digging spade	1	H
7	3083324900	Clay spade	1	I
8	3083325000	Frost wedge	1	J
9	3083325100	Shaft for tamping pad	1	K
10	3083325210	Tamping pad, round	1	L
11	3083323900	Tamping pad, square	1	M
12	3317806012	Driver pad, round	1	N
12	9245281790	Driver pad, round	1	O
14	9245282230	Posthole tool	1	P

Comments for Page: ISO standard hexagon 22 x 82.5 mm

(L)OCAL REMARKS

A | W= - L=380 mm, Lt=475 mm, Wt=1.6 kg

B | W= - L=1000 mm, Lt=1095 mm, Wt=3.6 kg

C | W= - L=380 mm, Lt=475 mm, Wt=1.6 kg

D | W= - L=1000 mm, Lt=1095 mm, Wt=3.6 kg

E | W=75 L=380 mm, Lt=475 mm, Wt=2.2 kg

F | W=125 L=380 mm, Lt=475 mm, Wt=3.0 kg

G | W=75 L=450 mm, Lt=545 mm, Wt=3.3 kg

H | W=120 L=400 mm, Lt=495 mm, Wt=3.8 kg

I | W= 125 L=430 mm, Lt=525 mm, Wt=3.7 kg

J | W= 35 L= 380 mm, Lt= 475 mm, Wt=2.3 kg

K | W= - L= 310 mm, Lt= 405 mm, Wt= 1.7 kg

L | W= Ø175 L= - mm, Lt= - mm, Wt=7.9 kg

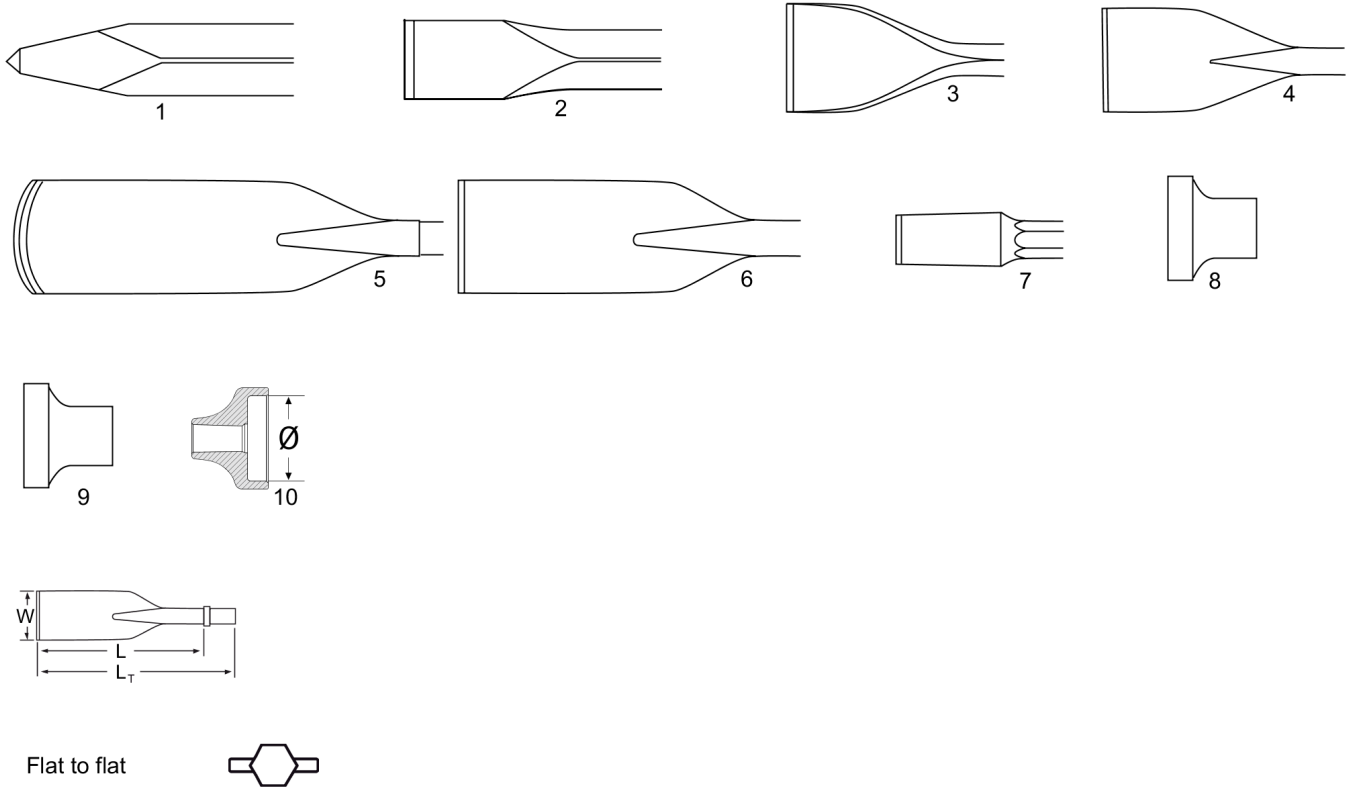
M | W= 175 L= - mm, Lt= - mm, Wt=6.1 kg

N | W=Ø65 L= - mm, Lt= - mm, Wt= 1.9 kg

O | W= Ø100 L=- mm, Lt= - mm, Wt=2,6 kg

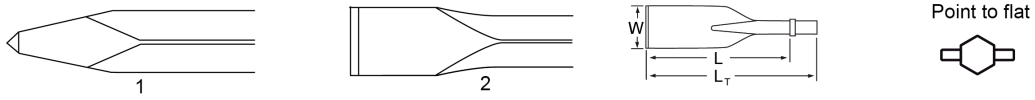
P | W= 40 L= - mm, Lt= - mm, Wt=2.7 kg

Insertion tools US standard hexagon 22 x 82.5 mm



Item	Part No.	Name	Qty	L
1	3083405000	Moil point, Lt=450 mm, L=355 mm	1	
1	3083405010	Moil point, Lt=545 mm, L=450 mm	1	
1	3083405020	Moil point, Lt=705 mm, L=610 mm	1	
1	3083405030	Moil point, Lt=1010 mm, L=915 mm	1	
2	3083330300	Narrow chisel, Lt=450 mm, L=355 mm	1	
2	3083330400	Narrow chisel, Lt=705 mm, Lt=610 mm	1	
2	3083405110	Narrow chisel, Lt=545 mm, L=450 mm	1	
3	3083330500	Wide chisel; Lt=450 mm, L= 355 mm	1	
4	3083330800	Clay spade, W=125 mm, Lt=525 mm, L=430 mm	1	
5	3083330600	Digging chisel, W=75 mm, Lt=450mm, L=355 mm	1	
7	3083405800	Shaft, Lt=300 mm, L=205 mm	1	
8	3083325210	Tamping pad (round), W=175 mm	1	
9	3083323900	Tamping pad(square), W=175 mm	1	
10	9245281790	Driver pad, W=100 mm	1	
11	9245282230	Posthole pad, W= 40 mm	1	

Insertion tools Round 25 x 75 mm



Item	Part No.	Name	Qty	L
1	3083326500	Moil point	1	A
1	3083326510	Moil point	1	B
2	3083326600	Narrow chisel	1	C
2	3083326610	Narrow chisel	1	D

Comments for Page: Round 25 x 75 mm

(L)OCAL REMARKS

A | W= - L=330 mm, Lt=415 mm

B | W= - L=450 mm, Lt=535 mm

C | W= - L=330 mm, Lt=415 mm

D | W= - L=450 mm, Lt=535 mm

Accessories Pre-mounted rubber hose with couplings

NO EXPLODED VIEW
AVAILABLE
FOR THIS BOM

Item	Part No.	Name	Qty	L
-	9030204400	Rubber hose, pre-mounted with European type claw coupling, 3 m (10 feet) (1 x claw coupling + 1 x hose nipple with cup nut, G3/4 in.), Ø12.5 mm, Ø1/2 in.	1	

Accessories Water separator

NO EXPLODED VIEW
AVAILABLE
FOR THIS BOM

Item	Part No.	Name	Qty	L
-	8092011058	Water separator VAM 01, European type claw couplings	1	A
-	8092011059	Water separator VAM 01, US type claw couplings	1	B
-	8092011082	Water separator VAM 5A, European type claw couplings	1	C
-	8092011083	Water separator VAM 5A, US type claw couplings	1	D

Comments for Page: Water separator

(L)OCAL REMARKS

A | Airflow < 50 l/s

Airflow < 106 ft³/min

B | Airflow < 50 l/s

Airflow < 106 ft³/min

C | Airflow < 120 l/s

Airflow < 254 ft³/min

D | Airflow < 120 l/s

Airflow < 254 ft³/min

Accessories Lubricator

NO EXPLODED VIEW
AVAILABLE
FOR THIS BOM

Item	Part No.	Name	Qty	L
-	8202510239	Lubricator CLG 30	1	A
-	8202510240	Lubricator CLG 30, US type claw couplings	1	A

Comments for Page: Lubricator

(L)OCAL REMARKS

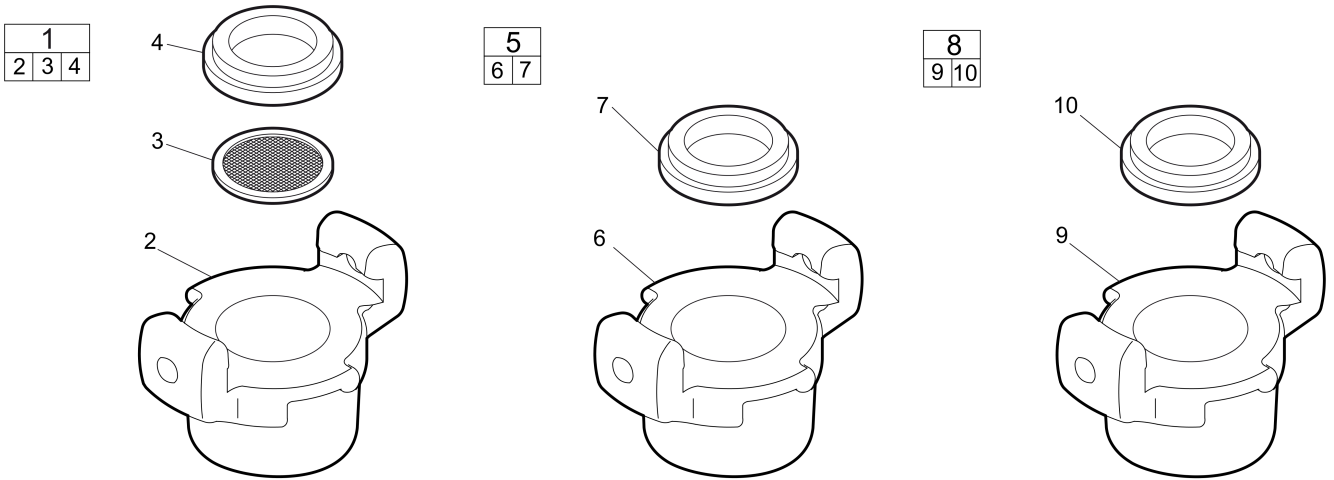
A | For mineral and synthetic oil

Accessories Breaker and hammer AIR-OIL

NO EXPLODED VIEW
AVAILABLE
FOR THIS BOM

Item	Part No.	Name	Qty	L
1	8099020240	Air oil bottle	1	
2	8099020236	Lubricating oil	1	
3	8099020281	Breaker and hammer AIR-OIL (pack), 1 l , 0.26 US gallon	20	
4	8099020202	Breaker and hammer AIR-OIL, 5 l, 1.32 US gallon	1	
5	8099020285	Breaker and hammer AIR-OIL (pack), 5 l, 1.32 US gallon	4	

Accessories Claw couplings



Item	Part No.	Name	Qty	L
1	9000030601	Claw coupling with strainer, complete	1	
2	--	Claw coupling, Standard G3/4 in.	1	
3	9000000010	Strainer	1	
4	9000000000	Packing	1	
5	9000030600	Claw coupling, complete	1	
6	--	Claw coupling, Standard G3/4 in.	1	
6	--	Claw coupling, Standard G3/4 in.	1	
7	9000000000	Packing	1	
6	--	Claw coupling, Standard G3/4 in.	1	
8	9001000506	Claw coupling, complete	1	
9	--	Claw coupling, US-universal 3/4 in.	1	
10	9001000515	Gasket	1	

Any unauthorized use or copying of the contents or any part thereof is prohibited.
This applies in particular to trademarks, model denominations, part numbers, and drawings.