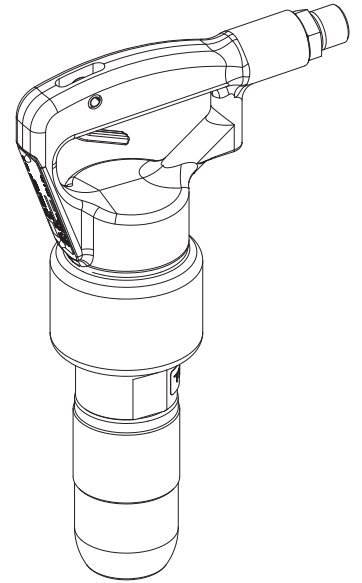


Spare parts list

Handheld pneumatic pick hammers



Contents

- General information..... 5
- Spare parts list..... 6
 - TEX 03PS..... 6
- Working tools..... 8
 - Hexagon 19 x 50 mm ($\frac{3}{4}$ " x 2")..... 8
 - Hexagon $\frac{3}{4}$ " x 2" (19 x 50 mm)..... 8
- Accessories..... 9
 - Pre-mounted rubber hoses with claw couplings..... 9
 - Water separator..... 9
 - Lubricator..... 9
 - Breaker and hammer AIR-OIL..... 9
 - Claw coupling..... 10
- Kits..... 11
 - Repair kit..... 11

General information

This spare parts list applies to the following:

Description

Handheld pneumatic pic hammers TEX 03PS

Use only authorized parts. Any damage or malfunction caused by the use of unauthorized parts is not covered by Warranty or Product Liability.

Any unauthorized use or copying of the contents or any part thereof is prohibited. This applies in particular to trademarks, model denominations, part numbers, and drawings.

Instructions for use

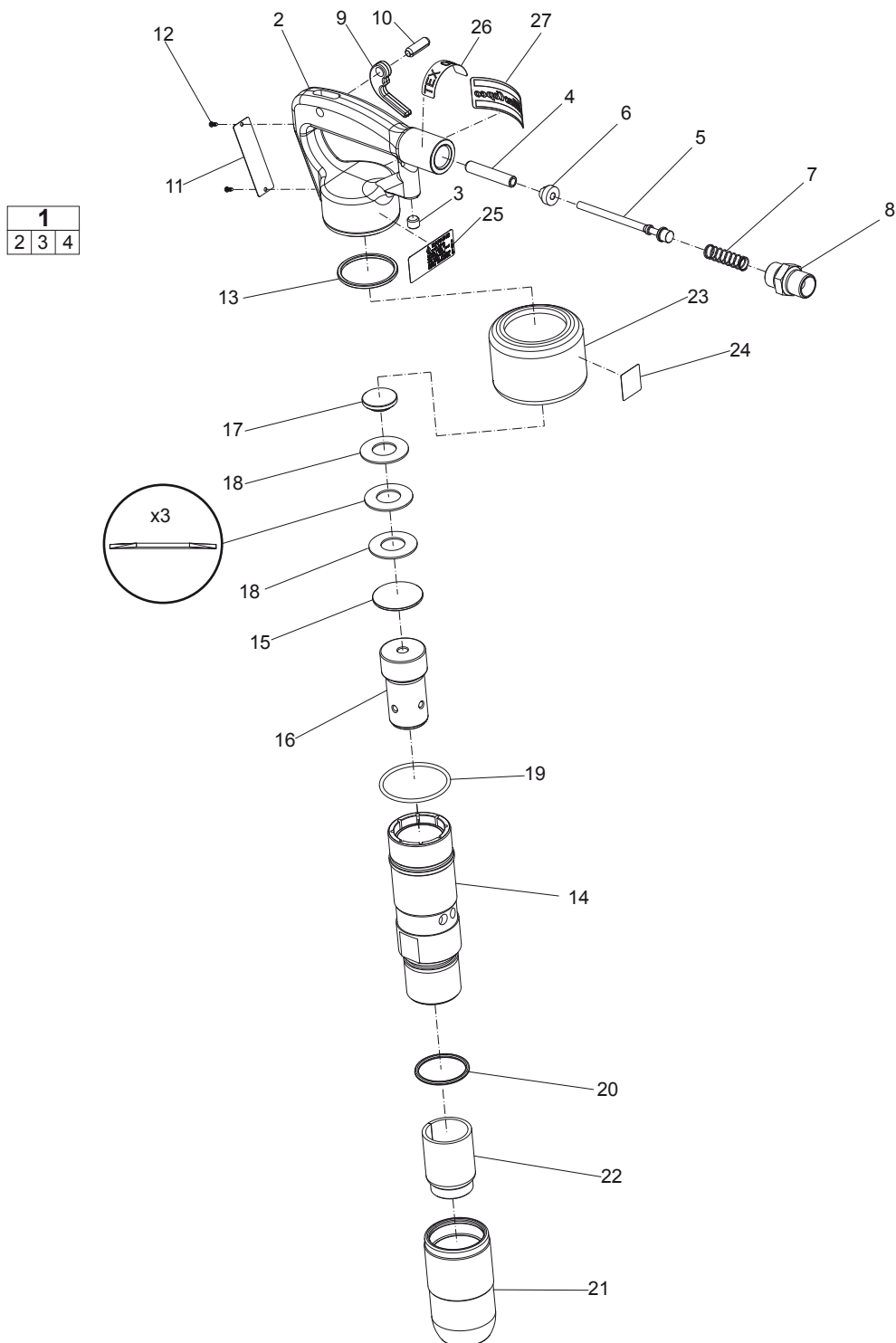
This spare parts list contains no safety regulations and is merely intended to assist in the ordering of spare parts.

For information about operating, servicing, or repairing, the relevant Safety and operating instructions must be consulted at all costs.

Please observe the safety instructions listed in the relevant Safety and operating instructions!

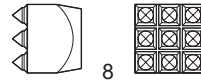
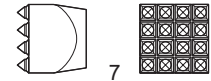
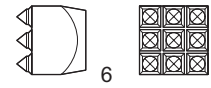
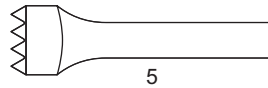
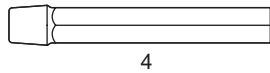
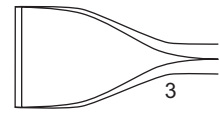
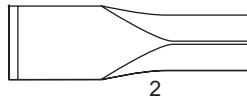
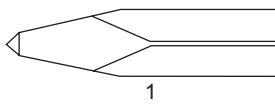
Spare parts list

TEX 03PS

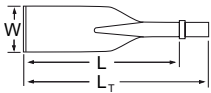


| No. | Description | Remark | Quantity | Part number |
|--------|-------------------|---------------------------------------------------|----------|--------------|
| 1(2-4) | Handle, complete | | 1 | 3310 1622 00 |
| 2 | Handle | | 1 | - |
| 3 | Plug | ISO7-R ¼ | 1 | 0686 6126 00 |
| 4 | Bushing | | 1 | - |
| 5 | Valve stem | | 1 | 3310 1625 00 |
| 6 | Inlet valve | | 1 | 3310 1135 00 |
| 7 | Spring | | 1 | 3310 1188 00 |
| 8 | Nipple | G 1/2" | 1 | 3310 1621 00 |
| 9 | Trigger | | 1 | 3310 1584 00 |
| 10 | Spring pin | Ø8 x 24 mm 0.31 x 0.94 in. | 1 | 0108 1355 00 |
| 11 | Data plate | | 1 | - |
| 12 | Drive screw | Ø2.5 x 6 mm 0.1 x 0.24 in. | 2 | - |
| 13 | Spacer ring | | 1 | 3310 1580 00 |
| 14 | Cylinder | | 1 | 3310 1578 00 |
| 15 | Cover | | 1 | 3310 1582 00 |
| 16 | Piston | | 1 | 3310 1579 00 |
| 17 | Guide plate | | 1 | 3310 1581 00 |
| 18 | Disc spring | Ø40/20 x 1.5/1.15 mm 1.57/0.79 x 0.06/0.05 in. | 3 | 0384 3380 00 |
| 19 | O-ring | Ø49.5 x 3 mm 1.95 x 0.12 in. | 1 | 0663 6134 00 |
| 20 | O-ring | Ø39.2 x 3 mm 1.54 x 0.12 in. | 1 | 0663 2133 00 |
| 21 | Cap | | 1 | 3310 1182 00 |
| 22 | Buffer | Black | 1 | 3310 0936 00 |
| 23 | Silencer | | 1 | 3310 1583 00 |
| 24 | Noise level label | | 1 | - |
| 25 | Safety label | | 1 | 3310 1602 00 |
| 26 | Product label | TEX 03PS | 1 | 3310 1624 00 |
| 27 | Product label | Atlas Copco | 1 | 0690 1204 00 |

Working tools

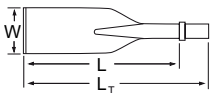


Hexagon 19 x 50 mm ($\frac{3}{4}$ " x 2")



| No. | Description | W (mm) | L (mm) | L _T (mm) | Wt (kg) | Part number |
|-----|-------------------------|--------|--------|---------------------|---------|--------------|
| 1 | Moil point | - | 240 | 300 | 0.8 | 3083 3220 00 |
| | | - | 440 | 500 | 1.3 | 3083 3221 00 |
| 2 | Narrow chisel | - | 240 | 300 | 0.8 | 3083 3222 00 |
| | | - | 440 | 500 | 1.3 | 3083 3223 00 |
| 3 | Wide chisel | 60 | 190 | 250 | 0.7 | 3083 3224 00 |
| 4 | Shaft for bush hammer | - | 80 | 140 | 0.4 | 3083 3225 00 |
| 6 | Bush hammer, TC head | 40 | - | - | 0.5 | 3083 3226 00 |
| 7 | Bush hammer, TC head | 40 | - | - | 0.5 | 3083 3227 00 |
| 8 | Bush hammer, steel head | 32 | - | - | 0.2 | 3083 4163 00 |

Hexagon $\frac{3}{4}$ " x 2" (19 x 50 mm)



| No. | Description | W (in.) | L (in.) | L _T (in.) | Wt (lb) | Part number |
|-----|-------------------------|---------|---------|----------------------|---------|--------------|
| 1 | Moil point | - | 9½ | 12 | 1¼ | 3083 3220 00 |
| | | - | 17 | 20 | 2⅞ | 3083 3221 00 |
| 2 | Narrow chisel | - | 9½ | 12 | 1¼ | 3083 3222 00 |
| | | - | 17 | 20 | 2⅞ | 3083 3223 00 |
| 3 | Wide chisel | 2⅞ | 7½ | 10 | 1½ | 3083 3224 00 |
| 4 | Shaft for bush hammer | - | 3⅞ | 5½ | ⅞ | 3083 3225 00 |
| 6 | Bush hammer, TC head | 1½ | - | - | 1⅞ | 3083 3226 00 |
| 7 | Bush hammer, TC head | 1½ | - | - | 1⅞ | 3083 3227 00 |
| 8 | Bush hammer, steel head | 1¼ | - | - | ½ | 3083 4163 00 |

Accessories

Pre-mounted rubber hoses with claw couplings

| Description | Remark | Quantity | Part number |
|---------------------------------------------------------------------------------------------------------------------------------|------------------|----------|--------------|
| Rubber hose, pre-mounted with European type claw couplings, 3 m (10 feet) (claw couplings on both ends) | Ø20 mm Ø¾ in. | 1 | 9030 2100 00 |
| Rubber hose, pre-mounted with European type claw couplings, 3 m (10 feet) (1 x claw coupling + 1 x hose nipple with cup nut) | Ø20 mm Ø¾ in. | 1 | 9030 2048 00 |

Water separator

| Description | Remark | Quantity | Part number |
|------------------------------------------------------|-------------------------------------------|----------|--------------|
| Water separator VAM 01, European type claw couplings | Airflow < 50 l/s Airflow < 106 ft³/min | 1 | 8092 0110 58 |
| Water separator VAM 01, US type claw couplings | Airflow < 50 l/s Airflow < 106 ft³/min | 1 | 8092 0110 59 |

Lubricator

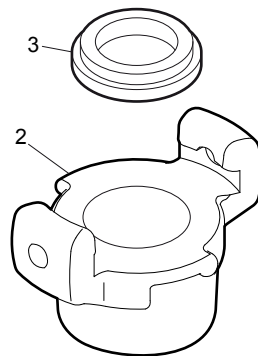
| Description | Remark | Quantity | Part number |
|-------------------------------------------------|-------------------------------|----------|--------------|
| Lubricator CLG 10, European type claw couplings | For mineral and synthetic oil | 1 | 8202 5101 23 |
| Lubricator CLG 10, US type claw couplings | For mineral and synthetic oil | 1 | 8202 5101 24 |

Breaker and hammer AIR-OIL

| Description | Remark | Quantity | Part number |
|-----------------------------------|--------------------------|----------|--------------|
| Breaker and hammer AIR-OIL | 0.25 l 0.06 US gallon | 1 | 8099 0202 40 |
| Breaker and hammer AIR-OIL | 1 l 0.26 US gallon | 1 | 8099 0202 36 |
| Breaker and hammer AIR-OIL (pack) | 1 l 0.26 US gallon | 20 | 8099 0202 81 |
| Breaker and hammer AIR-OIL | 5 l 1.32 US gallon | 1 | 8099 0202 02 |
| Breaker and hammer AIR-OIL (pack) | 5 l 1.32 US gallon | 4 | 8099 0202 85 |

Claw coupling

| |
|-----|
| 1 |
| 2 3 |



| No. | Description | Remark | Quantity | Part number |
|--------|-------------------------|----------------|----------|--------------|
| 1(2-3) | Claw coupling, complete | Standard G1/2" | 1 | 9000 0305 00 |
| 2 | Claw coupling | | 1 | - |
| 3 | Seal | | 1 | 9000 0000 00 |

Kits

Repair kit

| No. | Description | Remark | Quantity | Part number |
|-----|-------------------|---------------------------------|----------|--------------|
| | Repair kit | | 1 | 3310 0000 90 |
| 19 | O-ring | Ø49.5 x 3 mm 1.95 x 0.12 in. | 1 | - |
| 20 | O-ring | Ø39.2 x 3 mm 1.54 x 0.12 in. | 1 | - |
| 6 | Inlet valve | | 1 | - |
| 7 | Spring | | 1 | - |

Any unauthorized use or copying of the contents or any part thereof is prohibited.
This applies in particular to trademarks, model denominations, part numbers, and
drawings.

© 2012 Atlas Copco Construction Tools AB | No. 9800 0976 01 | 2012-04-12

Atlas Copco

www.atlascopco.com