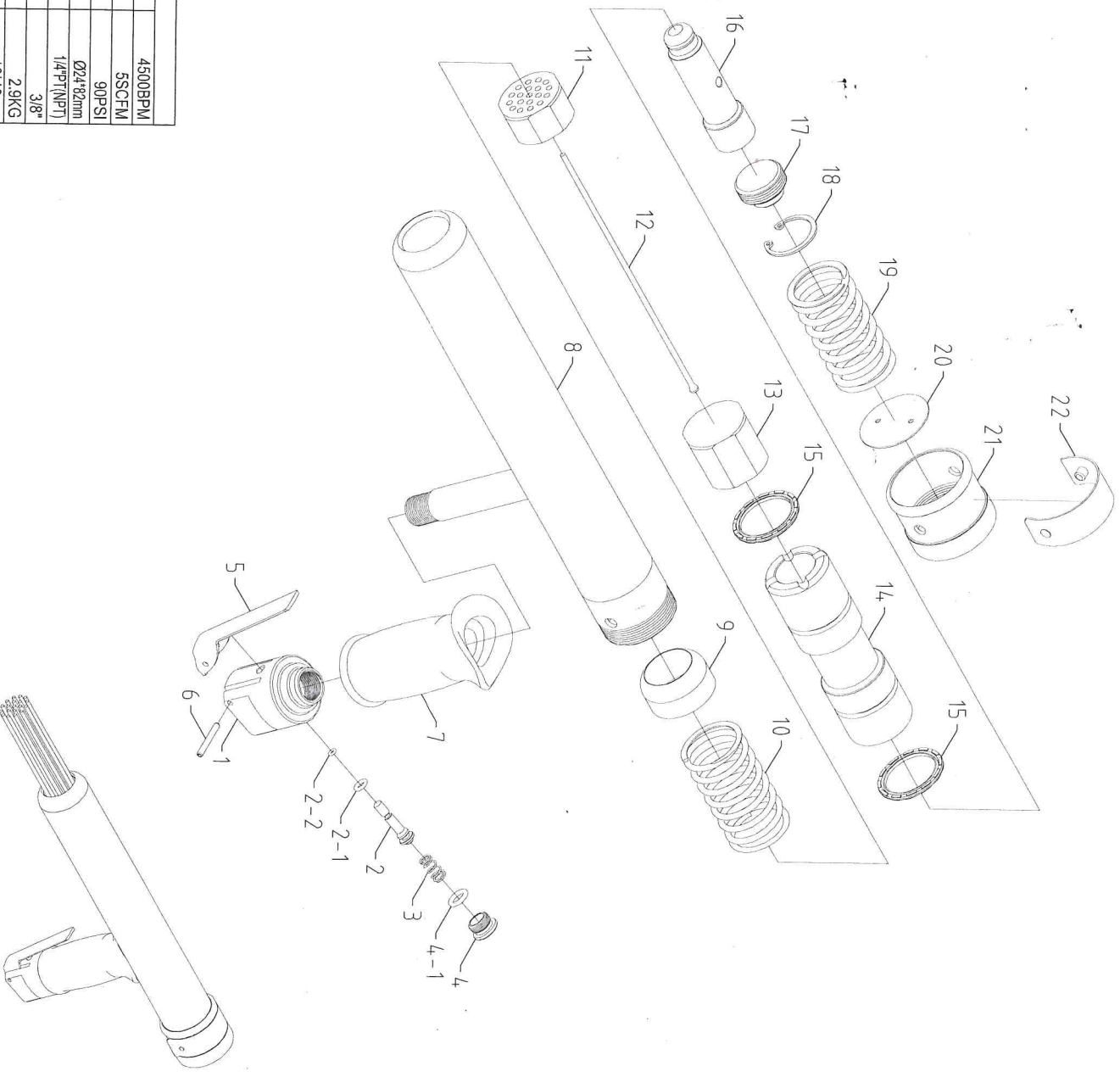


NEEDLE SCALER



| Specification: | |
|------------------|-------------|
| Blows per minute | 4500BPM |
| Air consumption | 5SCFM |
| Air pressure | 90PSI |
| Piston diameter | Ø24*82mm |
| Air inlet | 1/4"PT(NPT) |
| Hose inlet | 3/8" |
| Net weight | 2.9KG |
| Needle | Ø3*19pcs |

| NO. | PARTS NO. | DESCRIPTION | Q'TY | NO. | PARTS NO. | DESCRIPTION | Q'TY |
|-----|-------------|----------------------|------|-----|------------|---------------------------|------|
| 1 | P124-11006 | BACKHEAD | 1 | 11 | P104-12611 | NEEDLE HOLDER(Ø3*19HOLES) | 1 |
| 2 | P127-11004 | VALVE STEM | 1 | 12 | P103-3180 | NEEDLE(Ø3*180L) | 19 |
| 2-1 | P110-11005 | O-RING P5(D4.8*W1.9) | 1 | 13 | P112-12613 | NEEDLE DRIVER | 1 |
| 2-2 | P110-100051 | O-RING(D2*W1.5) | 1 | 14 | P121-12614 | CYLINDER | 1 |
| 3 | P108-11003 | VALVE SPRING | 1 | 15 | P132-12615 | SEAL | 2 |
| 4 | P113-11001 | VALVE CAP | 1 | 16 | P120-12616 | PISTON | 1 |
| 4-1 | P110-11002 | O-RING(D7.8*W2.4) | 1 | 17 | P122-12617 | CYLINDER CAP | 1 |
| 5 | P111-11007 | LEVER | 1 | 18 | P135-12618 | SNAP RING(RTW-28) | 1 |
| 6 | P129-11008 | SPRING PIN(Ø3*24L) | 1 | 19 | P108-12619 | COMPRESSION SPRING | 1 |
| 7 | P153-11015 | RUBBER GRIP | 1 | 20 | P132-12620 | SHIM | 1 |
| 8 | P118-12608 | HANDLE | 1 | 21 | P134-12621 | END CAP | 1 |
| 9 | P157-12609 | WASHER | 1 | 22 | P135-12622 | RETAINER CLIP | 1 |
| 10 | P108-12610 | COMPRESSION SPRING | 1 | | | | |