

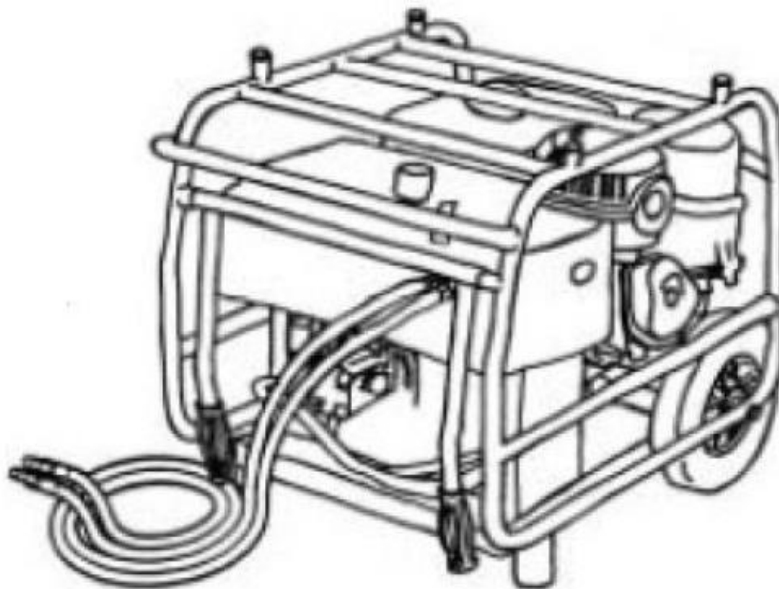
# LP 9-20 E PAC

---



## Spare Parts List Hydraulic Power Pack

LP 9-20 E PAC s/n BGF000001 -



# General information

This spare parts list applies to the following:

Part number	Description
1807008015	LP 9-20 E 20 lpm 5,5 kW AC
1807008046	LP 9-20 E PAC 20 lpm 5,5 kW

Use only authorized parts. Any damage or malfunction caused by the use of unauthorized parts is not covered by Warranty or Product Liability. Any unauthorized use or copying of the contents or any part thereof is prohibited. This applies in particular to trademarks, model denominations, part numbers, and drawings.

## Instructions for use

This spare parts list contains no safety regulations and is merely intended to assist in the ordering of spare parts.

For information about operating, servicing, or repairing, the relevant Safety and operating instructions must be consulted at all costs.

Please observe the safety instructions listed in the relevant Safety and operating instructions!

**Oil**

Power pack bio-oil ..... 1

**Spare parts list**

Frame & Cowl ..... 5  
Tank & Chassis ..... 7  
Motor & Pump ..... 9  
Valve block ..... 11  
Hoses & fittings ..... 13

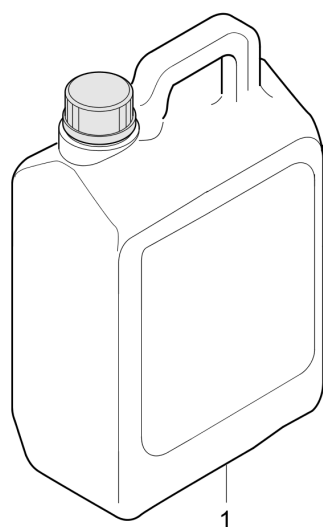
**Accessories**

**Hydraulic Accessories**

Hydraulic hoses ..... 15  
Hydraulic quick-release couplings ..... 19  
Whip Check ..... 23



**Oil** Power pack bio-oil



For tech. details check next page

This page intentionally left blank

Description	Part number
4 litres	1 3382 0700 86

Item	Part No.	Name	Qty	L
1	3382070086	ATLAS COPCO POWER PACK BIO-OIL (5L)	1	

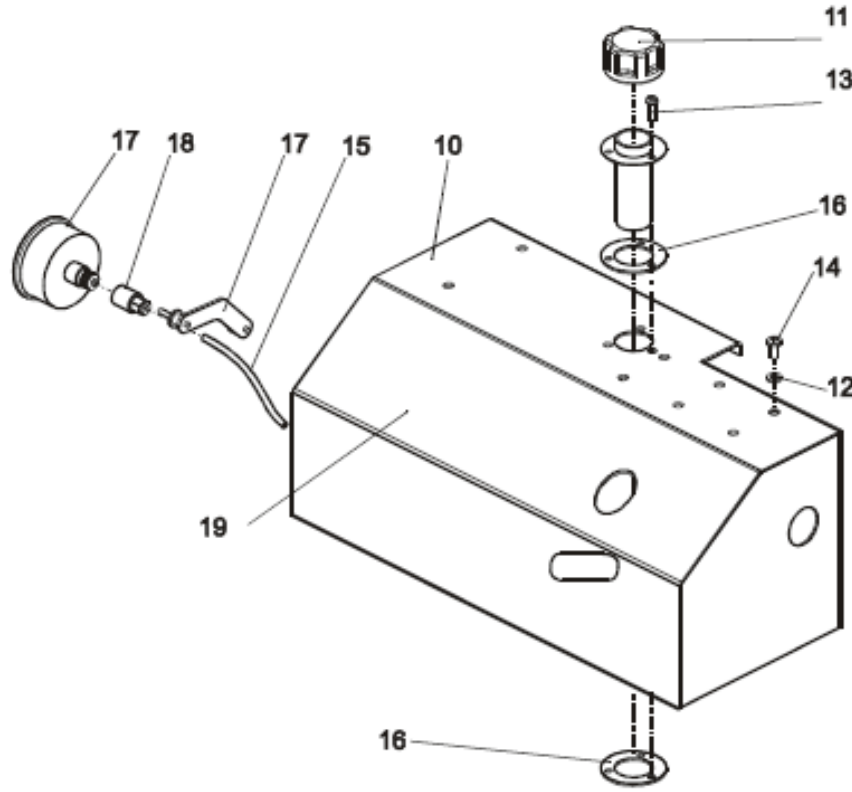
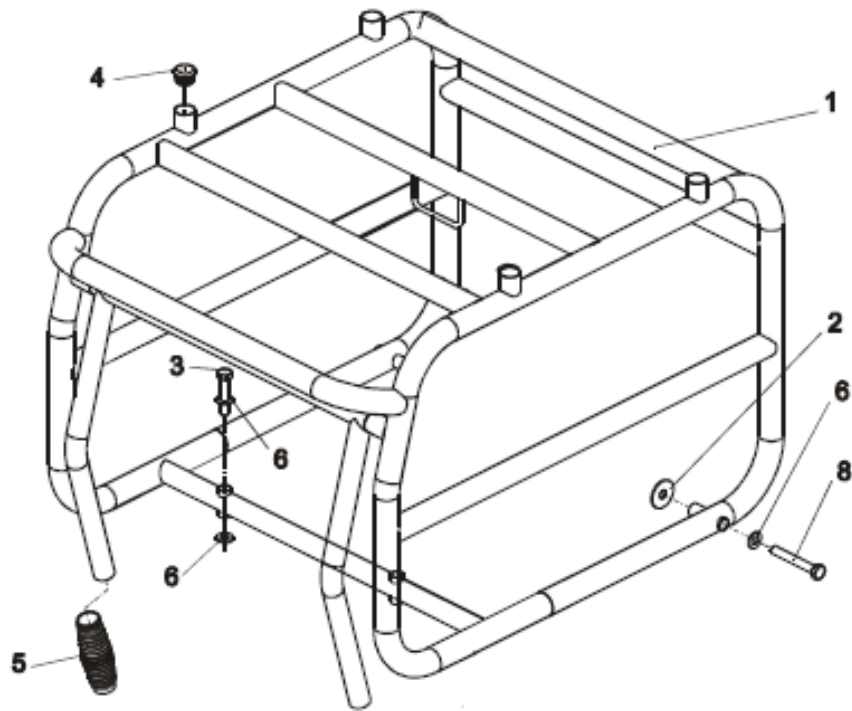
---

Refer to Parts Online for the most up to date information. The printed information might be outdated.

Fri Dec 10 02:17:22 UTC 2021



**Spare parts list** Frame & Cowl



Refer to Parts Online for the most up to date information. The printed information might be outdated.

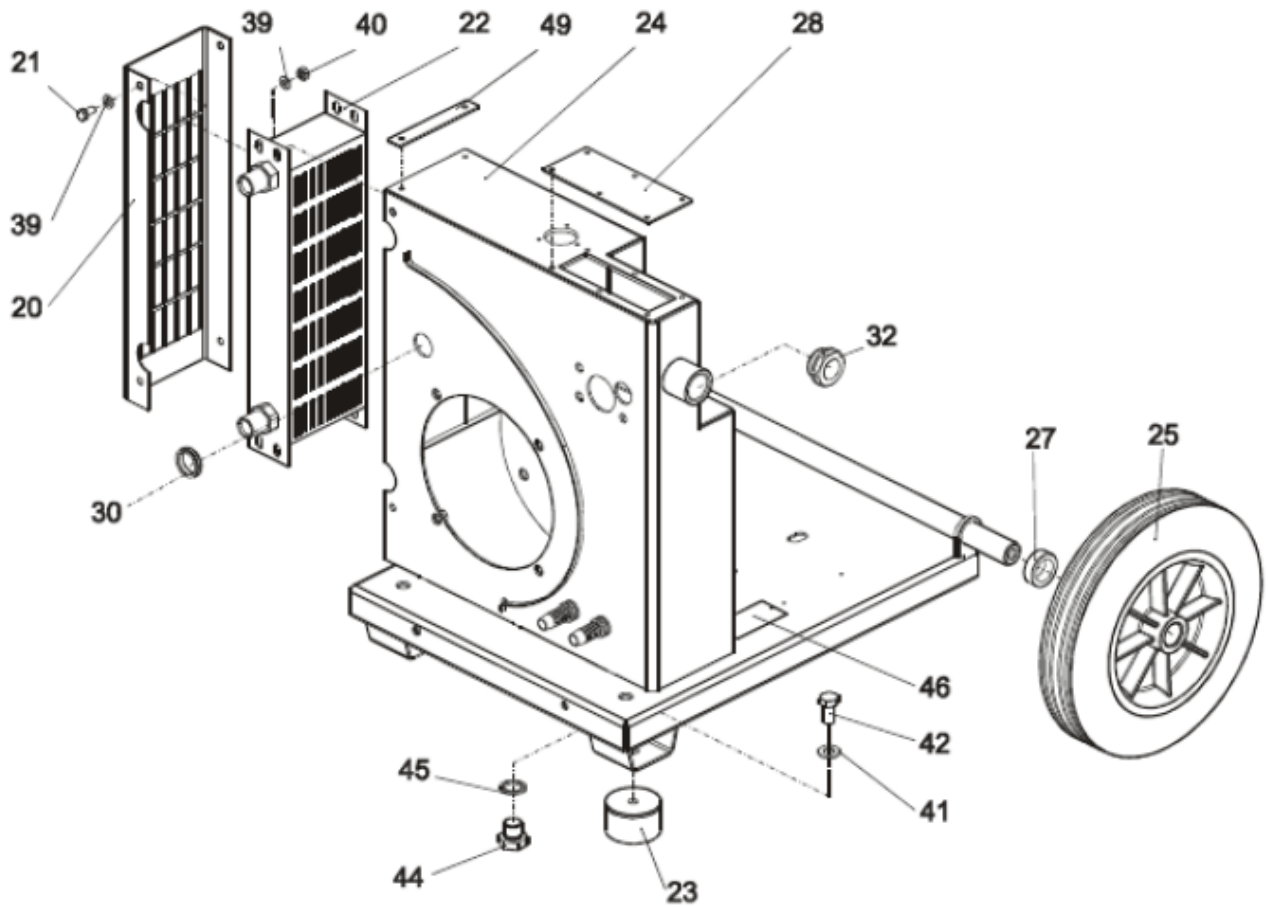
Fri Dec 10 02:17:23 UTC 2021

Item	Part No.	Name	Qty	L
1	3377000742	Frame	1	
2	3377104010	Washer 3/8x35	2	
3	0147136703	Hexagon bolt	4	
4	3371805507	Plastic pipe plug Only for frames w/hose rack	4	
5	3377005307	Handle	2	
6	0301234400	Plain washer	6	
10	3377000740	Cowl	1	
11	3377005259	Filler cap	1	
12	0300012913	Washer ø6	8	
13	3377000401	Screw M5x16	3	
14	3377000400	Screw M6x12	8	
15	3377000748	Gauge hose L=270 mm	1	
16	3377000403	Seal	2	
17	3377005067	Filter gauge + clamp	1	
18	3377000404	Fitting 04	1	
19	3371897022	Label Panel for LP9-20 E PAC	1	

Refer to Parts Online for the most up to date information. The printed information might be outdated.

Fri Dec 10 02:17:23 UTC 2021

**Spare parts list** Tank & Chassis



Refer to Parts Online for the most up to date information. The printed information might be outdated.

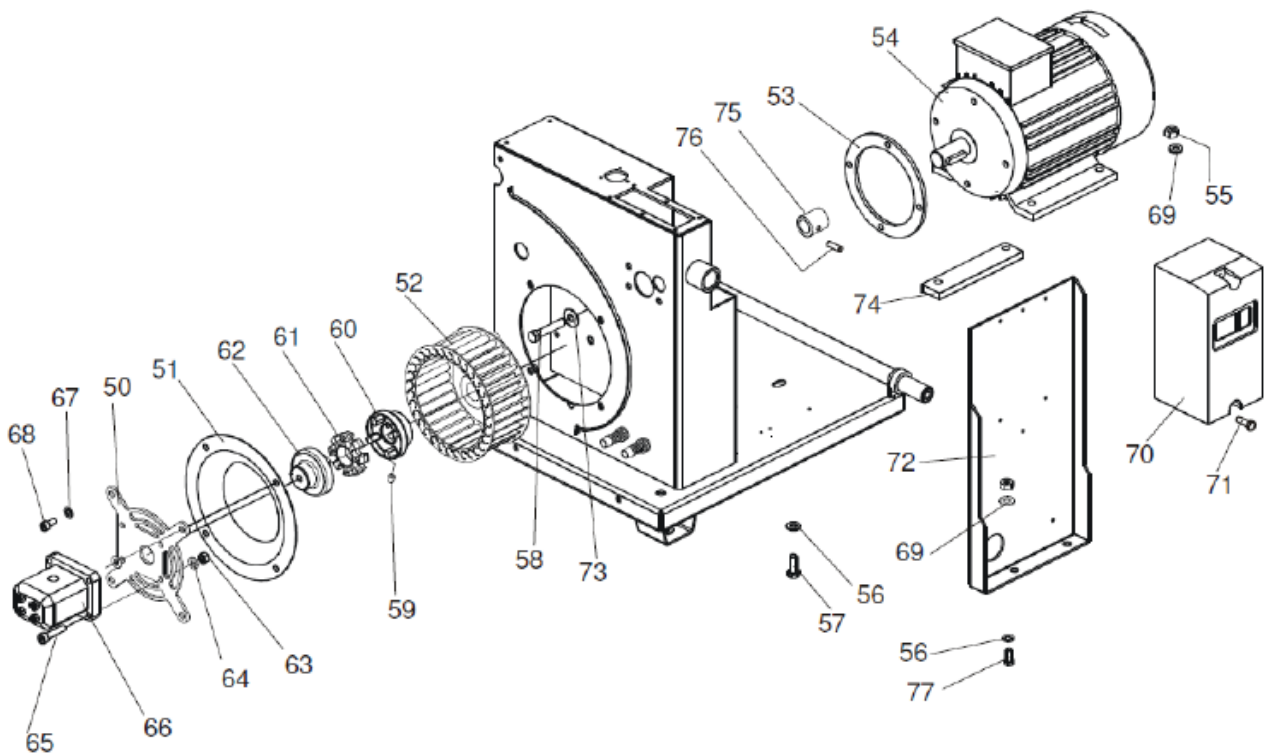
Fri Dec 10 02:17:23 UTC 2021

Item	Part No.	Name	Qty	L
20	3377000027	Cooler guard	1	
21	0215000380	Screw M6x12	8	
22	3377005068	Oil cooler	1	
23	3377000405	Rubber feet	2	
24	3377021030	Tank/chassis Complete w. guard & plate	1	
25	3377005612	Wheel Only available in pairs	2	
27	3377000221	Washer $\varnothing 32/\varnothing 22/10$	2	
28	3377000028	Seal	1	
30	3377005087	Rubber grommet	2	
32	0872211502	Sight glass	1	
39	0300013009	Washer	16	
40	0261109032	Nut M6	8	
41	0301234400	Plain washer	4	
42	0147135803	Screw	2	
44	3371803707	Fitting 06	1	
45	0661100040	Seal ring	1	
46	-	Data plate (Not availablr separately)	1	
49	3377000505	Seal	1	

Refer to Parts Online for the most up to date information. The printed information might be outdated.

Fri Dec 10 02:17:23 UTC 2021

**Spare parts list** Motor & Pump



Refer to Parts Online for the most up to date information. The printed information might be outdated.

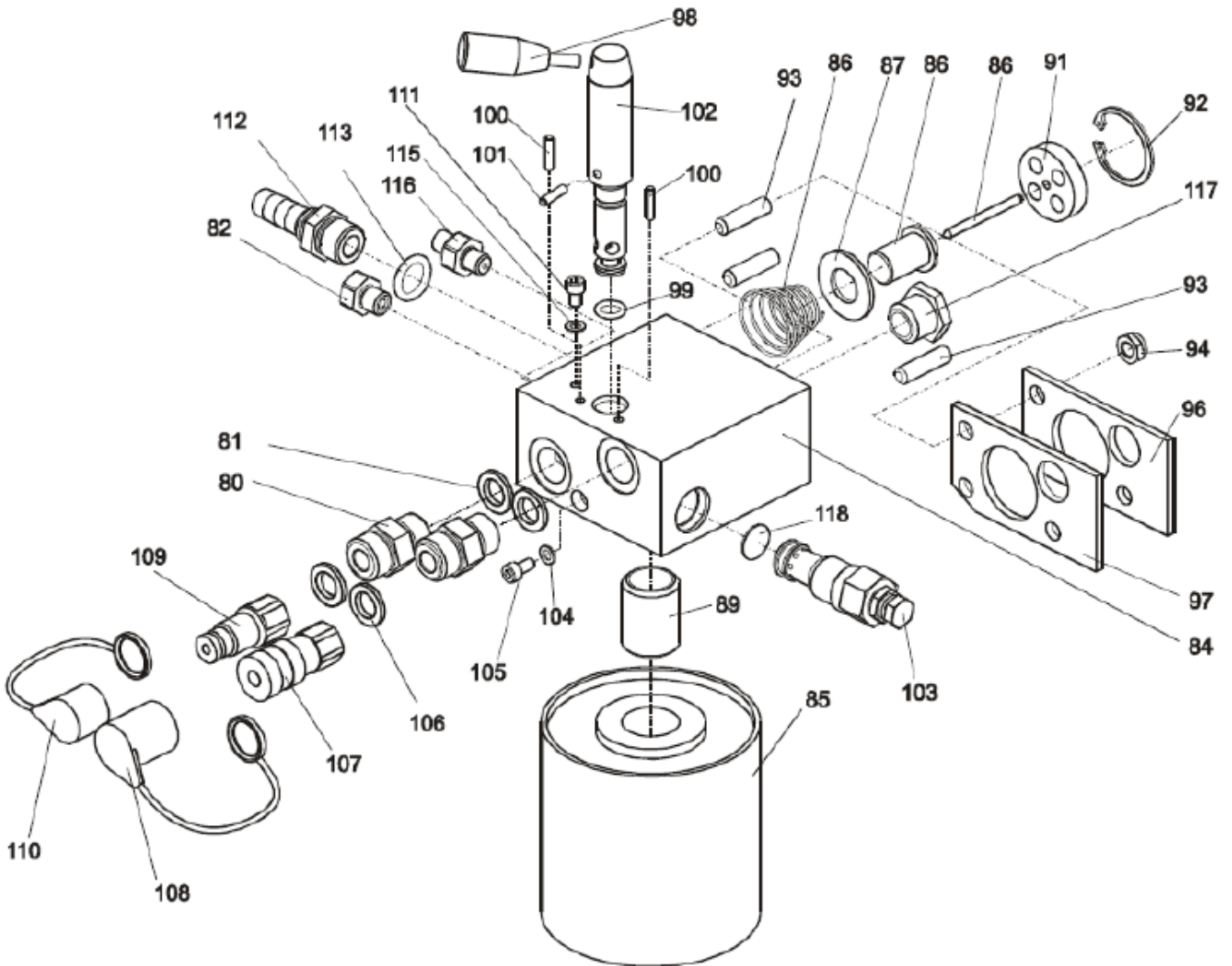
Fri Dec 10 02:17:24 UTC 2021

Item	Part No.	Name	Qty	L
50	3377003387	Pump plate	1	
51	3377001438	Fan inlet ring	1	
52	3377000573	Fan	1	
53	3377000574	Spacer ring	1	
54	3378001304	Electric motor 5.5 kW - 380 V	1	
55	0291111100	Locknut	6	
56	0301234400	Plain washer	6	
57	0211137100	Screw M10x70, Use Loctite 245	4	
58	3371820721	Screw M8x20	4	
59	0196131900	Screw M8x10	2	
60	3377000575	Engine half coupling	1	
61	3377005169	Coupling spider	1	
62	3377005170	Pump half coupling	1	
63	0291111000	Lock nut	4	
64	0301233500	Washer	4	
65	3377000477	Screw M8x35	4	
66	3377000581	Pump 7.9 cc	1	
67	0301233500	Washer	4	
68	3377121508	Screw M8x16	4	
69	0301234400	Plain washer	6	
70	3377000793	Electric box complete Incl. coupling and cables	1	
71	3377000401	Screw M5x16	2	
72	3377000794	Rear plate For electric box	1	
73	0301233500	Washer	4	
74	3377000580	Spacer	2	
75	3377000582	Distance bushing	1	
76	0196116600	Screw M4x4	1	
77	0147136003	Hexagon bolt	2	

Refer to Parts Online for the most up to date information. The printed information might be outdated.

Fri Dec 10 02:17:24 UTC 2021

**Spare parts list** Valve block



Refer to Parts Online for the most up to date information. The printed information might be outdated.

Fri Dec 10 02:17:24 UTC 2021

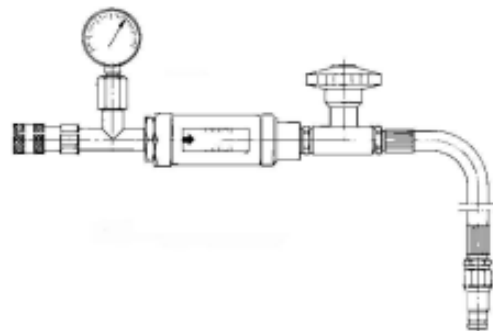
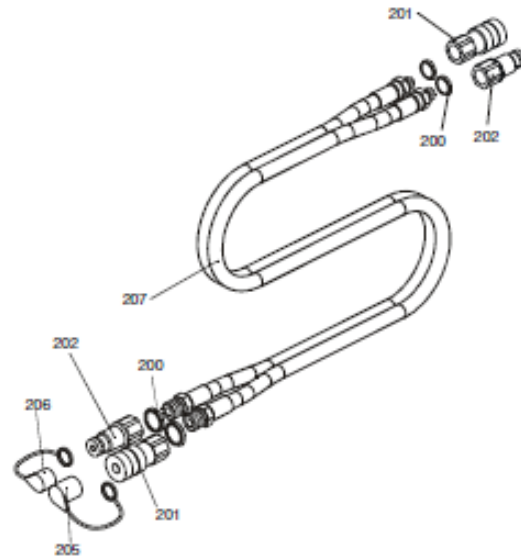
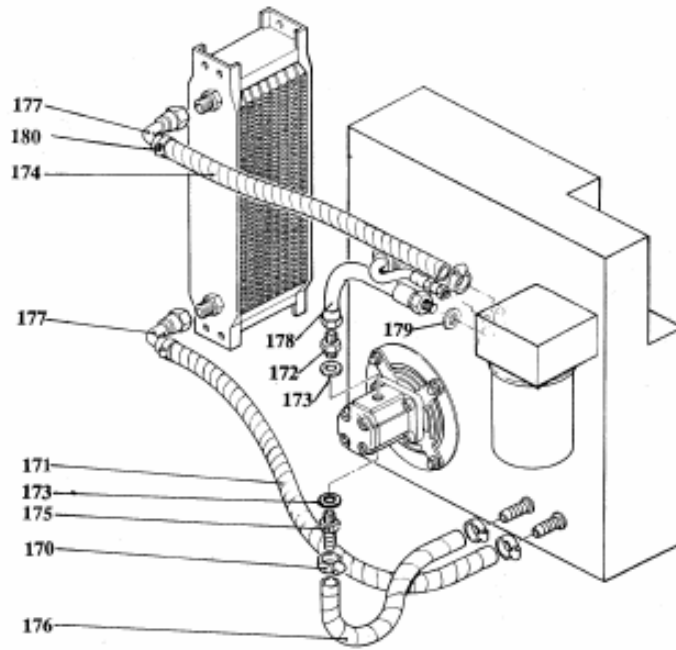
Item	Part No.	Name	Qty	L
80	3377222311	Adaptor 12-06	2	
81	0661100090	Seal washer	2	
82	3371817740	Fitting 02 w/seal Use Loctite 245	1	
84	3377001198	Valve block	1	
85	3377005075	Filter 25 cc	1	
86	3377005082	Thermostat complete	1	
87	3377100016	Washer	1	
89	3377005263	Filter adaptor	1	
91	3377004084	Thermostat wasker	1	
92	0335213700	Circlip	1	
93	0196132600	Set screw	3	
94	0291111000	Lock nut	3	
96	3377004050	Clamp plate	1	
97	3377004051	Seal	1	
98	3377000459	Handle	1	
99	3377000416	O-Ring ø9.6x2.4	1	
100	3377013604	Roll pin ø4x16	2	
101	3377013604	Roll pin ø4x16	1	
102	3377000744	Spool	1	
103	3377005172	Pressure relief valve	1	
104	3377005113	Cupper washer	1	
105	3377121005	Screw M5x10	1	
106	0661100040	Seal ring	2	
107	3371805137	Q.R. coupling 06 female	1	
108	3371805733	Protective cap 1/2" female	1	
109	3371805138	Flat-Face quick-release coupling	1	
110	3371805728	Protective cap 3/8" male	1	
111	0211120303	Hex. Sock. Screw	1	
112	3377000433	Hose nipple	1	
113	0661100039	Seal washer	1	
115	3377005113	Cupper washer	1	
116	3377000435	Nipple	1	
117	3377004747	By-pass valve comple	1	
118	3377000588	Filter washer	1	
-	3377021024	Valve block complete Incl. Fig. No. 80-118	-	

Refer to Parts Online for the most up to date information. The printed information might be outdated.

Fri Dec 10 02:17:24 UTC 2021



**Spare parts list** Hoses & fittings



Refer to Parts Online for the most up to date information. The printed information might be outdated.

Fri Dec 10 02:17:24 UTC 2021

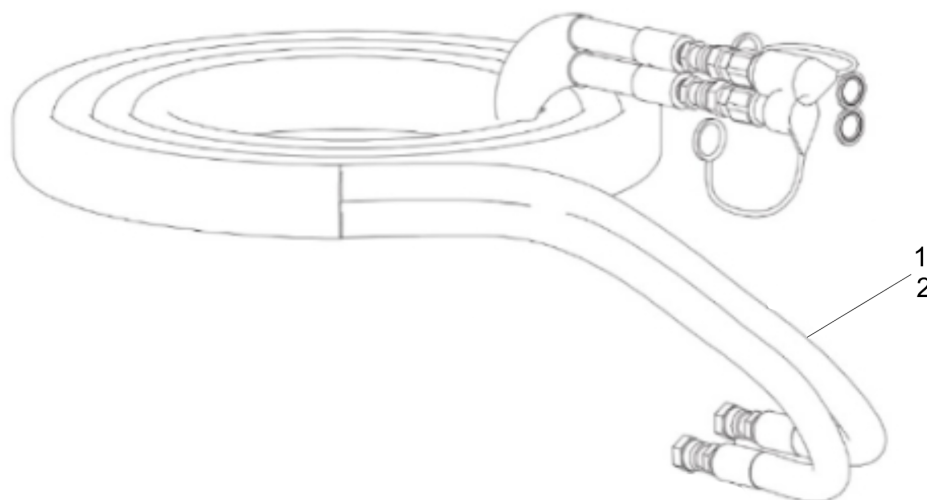
Item	Part No.	Name	Qty	L
170	3377000789	Hose clip ø19/12	4	
171	3377000426	Cooler return line	1	
172	3377000432	Adaptor 08-06	1	
173	0661100027	Seal washer	2	
174	3377000429	Cooler feed line	1	
175	3377000433	Hose nipple	1	
176	3377000430	Suction hose L=185 mm	1	
177	3377000427	Hose nipple	2	
178	3377000431	High pressure hose	1	
179	0661100090	Seal washer	1	
180	3377000790	Hose clip ø21/15	2	
-	3371801087	7 m Twin extension hose	1	A
200	0661100027	Seal washer	4	A
201	3371805133	Quick release coupling	2	A
202	3371805134	Quick release coupling	2	A
205	3371805733	Protective cap 1/2" female	2	A
206	3371805732	Protective cap For 1/2" male QRC	2	A
207	3371803052	Twin extension hose 7 m 1/2" BSP M – BSP M	1	A
-	3371801154	Test equipment	-	A

Comments for Page: Hoses & fittings

(L)OCAL REMARKS

A | "Optional equipment"

**Hydraulic Accessories** Hydraulic hoses



For tech. details check next page

This page intentionally left blank

Description	Length		Diameter		Weight	Comments	Part number
	m	ft	mm	in	kg <sup>1)</sup>		
Hydraulic twin-extension hose	7.0	23	12.5	½	8.3	Incl. ½ inch Flat-Face quick-release couplings	1 3371 8010 87
	12.0	39	12.5	½	13.3	Incl. ½ inch Flat-Face quick-release couplings	13371 8010 89
	7.0	23	12.5	½	8.0	Incl. ½ inch BSP female connection for direct mounting	13371 8010 82
Double connection hoses	1.6	5	12.5	½	1.7	-	2 3371 8011 90

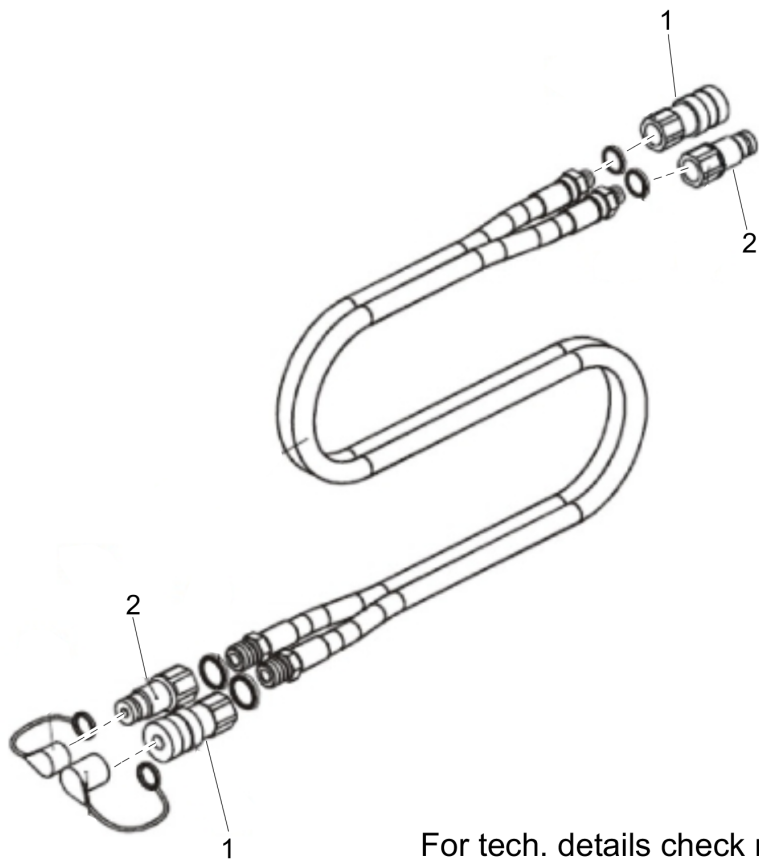
Item	Part No.	Name	Qty	L
1	3371801087	7 m Twin extension hose	1	
1	3371801089	12 m Twin extension hose	1	
1	3371801082	7 m Twin hose	1	
2	3371801190	1.6 M TAIL-HOSE SET	1	

---

Refer to Parts Online for the most up to date information. The printed information might be outdated.

Fri Dec 10 02:17:26 UTC 2021

**Hydraulic Accessories** Hydraulic quick-release couplings



For tech. details check next page

This page intentionally left blank



Description	Length		Connection		Weight	Comments	Part number
	m	ft	mm	in	kg <sup>1)</sup>		
Flat-Face quick-release coupling	70	2 ¾	12.5	½	0.2	Female	13371 8051 33
	70	2 ¾	10.0	¾	0.2	Female	1 3371 8051 37
Flat-Face quick-release coupling	65	2 ½	12.5	½	0.2	Male	2 3371 8051 34
	65	2 ½	10.0	¾	0.2	Male	23371 8051 38

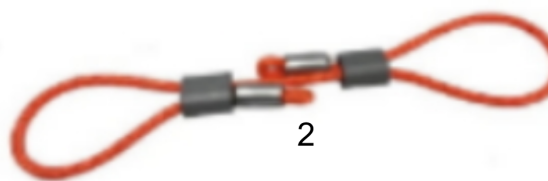
Item	Part No.	Name	Qty	L
1	3371805133	Quick release coupling	2	
1	3371805137	Q.R. coupling 06 female	2	
2	3371805134	Quick release coupling	2	
2	3371805138	Flat-Face quick-release coupling	2	

---

Refer to Parts Online for the most up to date information. The printed information might be outdated.

Fri Dec 10 02:17:26 UTC 2021

**Accessories** Whip Check



Item	Part No.	Name	Qty	L
1	3310101858	WhipChecks	1	
1	3310101859	Whip Check 1.1/2"-3",L=965mm,BS=2350kg	1	
1	3310101860	Whip Check 3"-6",L=1150mm,BS=2350kg	1	
2	3310102546	Whip check Pro 1/2 -4",L=500mm,BS=1000kg	1	

---

Refer to Parts Online for the most up to date information. The printed information might be outdated.

Fri Dec 10 02:17:27 UTC 2021

Any unauthorized use or copying of the contents or any part thereof is prohibited.  
This applies in particular to trademarks, model denominations, part numbers, and drawings.

